

#	DESCRIPTION	NOTES
1	FIREHALT BARRIER	
2	100mm OVERLAP	
3	BARRIER PRE-WRAP	Temporary Fix with Staples/Tacks
4	25 x 25 x 0.7mm GALV ANGLE	250mm Fixing Centres
5	SUITABLE WOOD SCREWS	
6	ROOF SHEET	

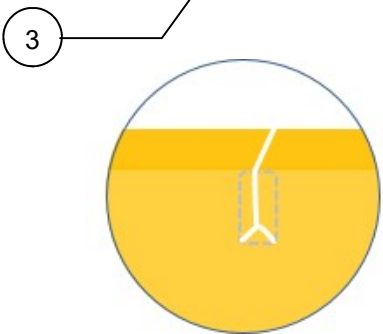


Tel : +44 (0)161 344 2484
 Fax : +44 (0)161 344 2486
 Email : sales@firehalt.com
 Web : www.firehalt.com

Fixing detail may not be suitable for all applications. If in doubt seek assistance from our technical staff or another qualified person before installation

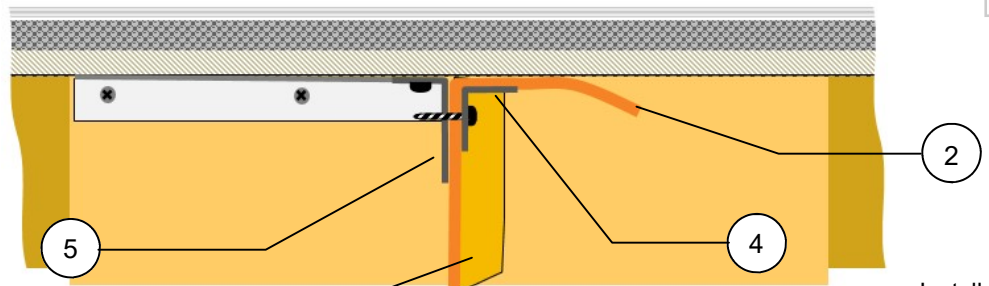
Title: Top Fix from Timber Purlins	Products: All Firehalt Insulated Barriers (not recommended for SF Fire Curtains)	Fix Detail : # 7a
Recommended Engineered Solution		Version: 1
		Date: 26/02/2018

STEP 1.
Fit a Pre-Wrap of Firebarrier

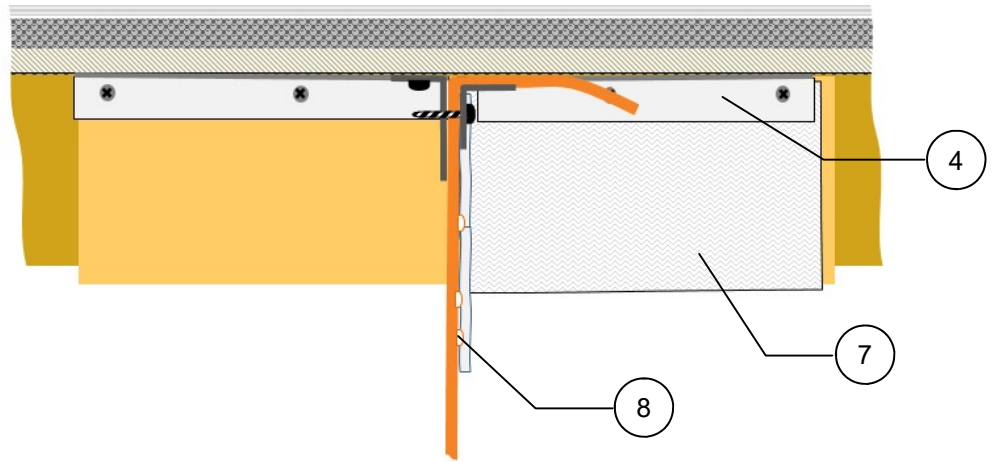


A 'Y' cut is made in the Firehalt barrier just large enough to fit tightly around the purlin and maintain the 100mm overlap

STEP 2.
Install Firebarrier to standard fix details



STEP 3.
Install Firehalt Collar Roll around 3 sides of the wrapped Purlin. Secure with 25mm Galv Angle



#	DESCRIPTION	NOTES
1	FIREHALT BARRIER	
2	100mm OVERLAP	
3	BARRIER PRE-WRAP	Temporary Fix with Staples/Tacks
4	25 x 25 x 0.7mm GALV ANGLE	250mm Fixing Centres
5	50 x 25 x 0.7mm GALV ANGLE	
6	FIXABLE ROOF SHEET	
7	COLLAR ROLL	
8	BEADS OF FIREHALT HT ADHESIVE	



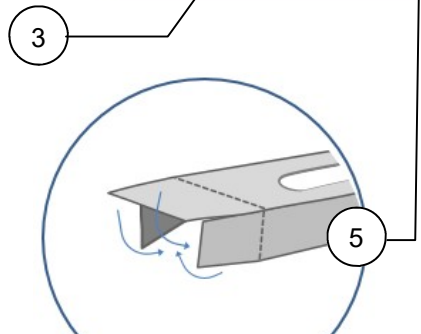
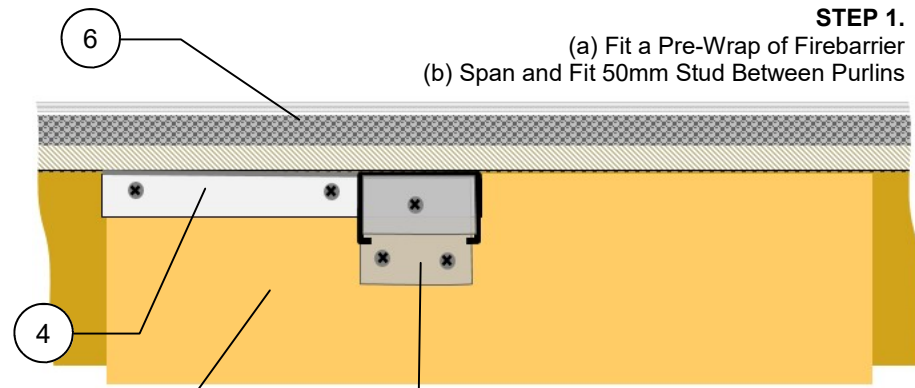
Tel : +44 (0)161 344 2484
 Fax : +44 (0)161 344 2486
 Email : sales@firehalt.com
 Web : www.firehalt.com

Fixing detail may not be suitable for all applications. If in doubt seek assistance from our technical staff or another qualified person before installation

Title: Top Fix Across Timber Purlins (Fixable Roof Sheet)	Products: All Firehalt Barriers	Fix Detail : # 7b
	Recommended Engineered Solution	Version: 1
		Date: 26/02/2018

STEP 1.

- (a) Fit a Pre-Wrap of Firebarrier
- (b) Span and Fit 50mm Stud Between Purlins

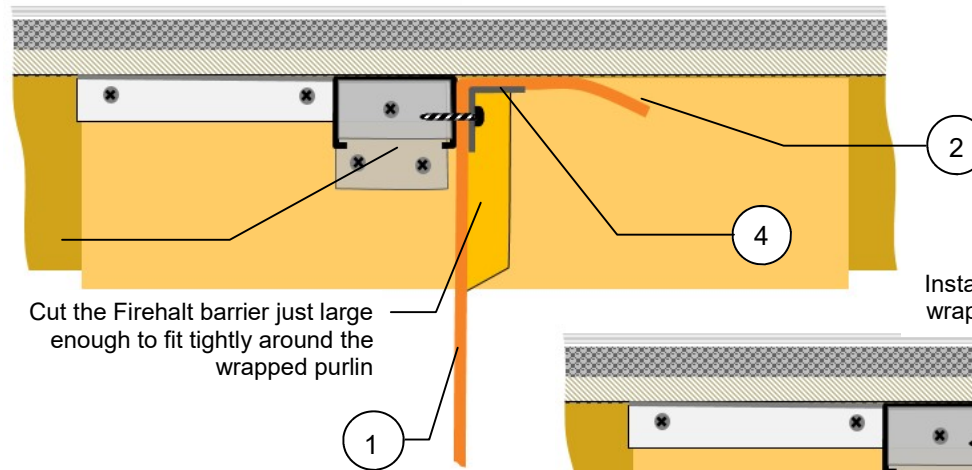


Make fixing tabs at both ends of 50mm stud channel by cutting min. 50mm along each corner and folding the side tabs inwards. Then bend the top tab down and secured to the purlins



STEP 2.

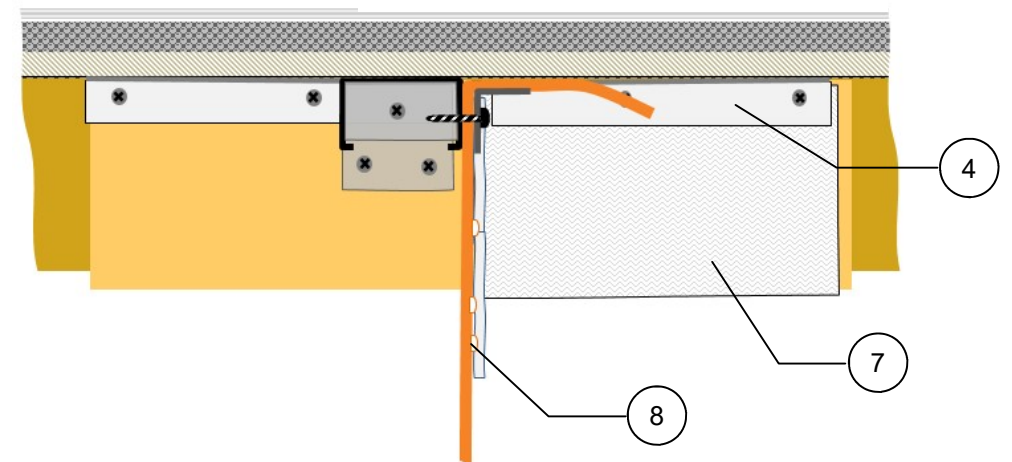
Install Firebarrier to standard fix details



Cut the Firehalt barrier just large enough to fit tightly around the wrapped purlin

STEP 3.

Install Firehalt Collar Roll around 3 sides of the wrapped Purlin. Secure with 25mm Galv Angle



#	DESCRIPTION	NOTES
1	FIREHALT BARRIER	
2	100mm OVERLAP	
3	BARRIER PRE-WRAP	Temporary Fix with Staples/Tacks
4	25 x 25 x 0.7mm GALV ANGLE	250mm Fixing Centres
5	50mm STUD / METSTRUT CHANNEL	
6	NON-FIXABLE ROOF SHEET	
7	COLLAR ROLL	
8	BEADS OF FIREHALT HT ADHESIVE	



Tel : +44 (0)161 344 2484
 Fax : +44 (0)161 344 2486
 Email : sales@firehalt.com
 Web : www.firehalt.com

Fixing detail may not be suitable for all applications. If in doubt seek assistance from our technical staff or another qualified person before installation

Title: Top Fix Across Timber Purlins (Non-Fixable Roof Sheet)	Products: All Firehalt Barriers	Fix Detail : # 7c
	Recommended Engineered Solution	Version: 1
		Date: 26/02/2018