

#	DESCRIPTION	NOTES
1	FIREHALT BARRIER	
2	100mm OVERLAP	
3	25 x 25 x 0.7mm GALV ANGLE	250mm Fixing Centres
4	SUITABLE FIRE RATED FIXING	
5	NON-FIXABLE ROOF SHEET	
6	Z ROOF PURLIN	



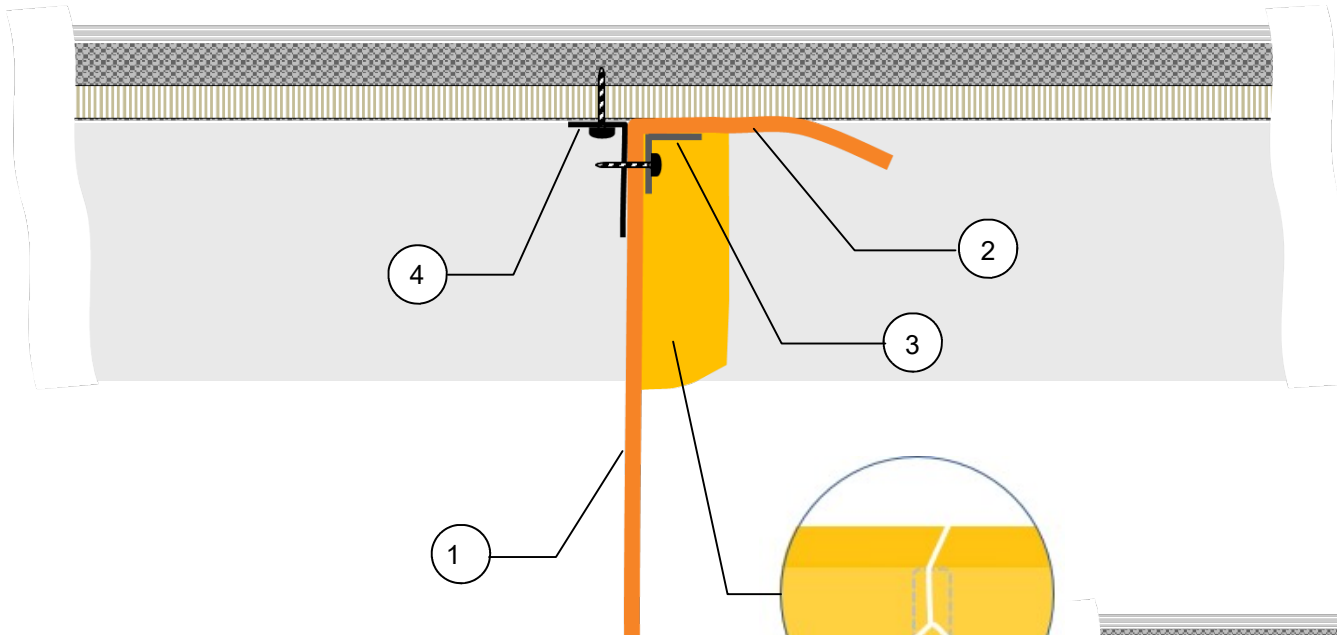
Tel : +44 (0)161 344 2484
 Fax : +44 (0)161 344 2486
 Email : sales@firehalt.com
 Web : www.firehalt.com

Fixing detail may not be suitable for all applications. If in doubt seek assistance from our technical staff or another qualified person before installation

Title: Top Fix From Metal Purlins (Non-Fixable Roof Sheet)	Products: Firehalt Barriers : SF Ultralite 30 30:30 60:30 120:30	Fix Detail : # 6a
		Version: 1
Recommended Engineered Solution		Date: 26/02/2018

STEP 1.

Fit the 50 x 25mm Support angle and then the Fire barrier as detailed below.

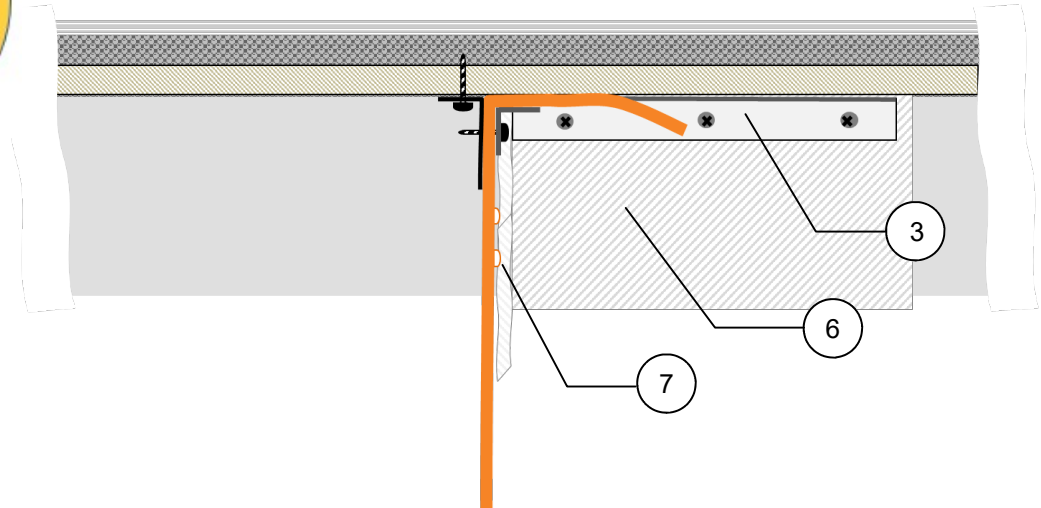


A 'Y' cut is made in the Firehalt barrier just large enough to fit tightly around the purlin retaining as much overlap as possible



STEP 2.

Install Firehalt Collar Roll around the purlin and fix with 25mm galv angle. Glue raised collar to the barrier using Firehalt HT Adhesive



#	DESCRIPTION	NOTES
1	FIREHALT BARRIER	
2	100mm OVERLAP	
3	25 x 25 x 0.7mm GALV ANGLE	250mm Fixing Centres
4	50 x 25 x 0.7mm GALV ANGLE	
5	FIXABLE ROOF SHEET	
6	COLLAR ROLL	
7	BEADS OF FIREHALT HT ADHESIVE	

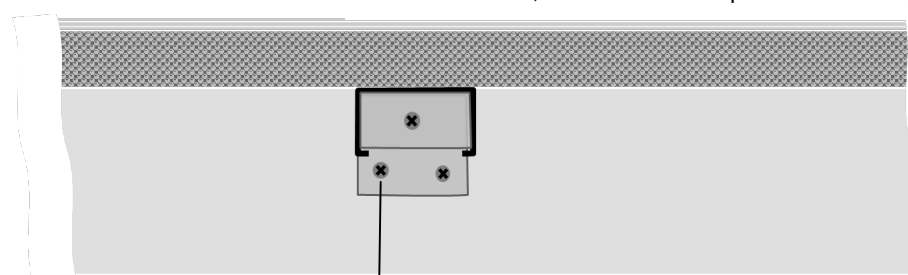


Tel : +44 (0)161 344 2484
 Fax : +44 (0)161 344 2486
 Email : sales@firehalt.com
 Web : www.firehalt.com

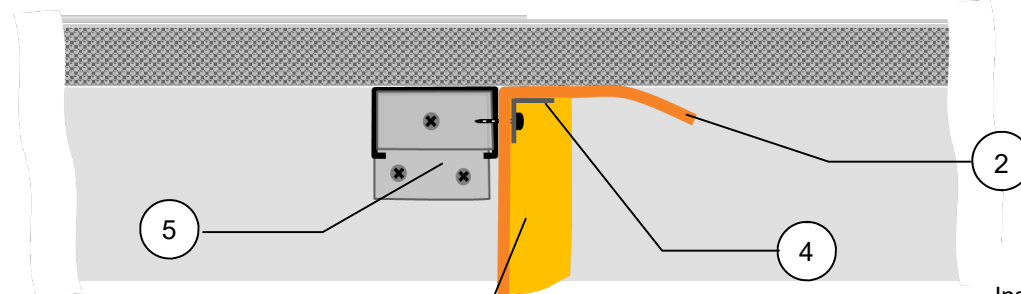
Fixing detail may not be suitable for all applications. If in doubt seek assistance from our technical staff or another qualified person before installation

Title: Top Fix Across Metal Purlins (Fixable Roof Sheet)	Products: Firehalt Barriers : SF Ultralite 30	Fix Detail : # 6b
	30:30 60:30 120:30	Version: 1
Recommended Engineered Solution		Date: 26/02/2018

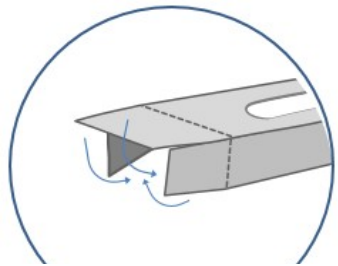
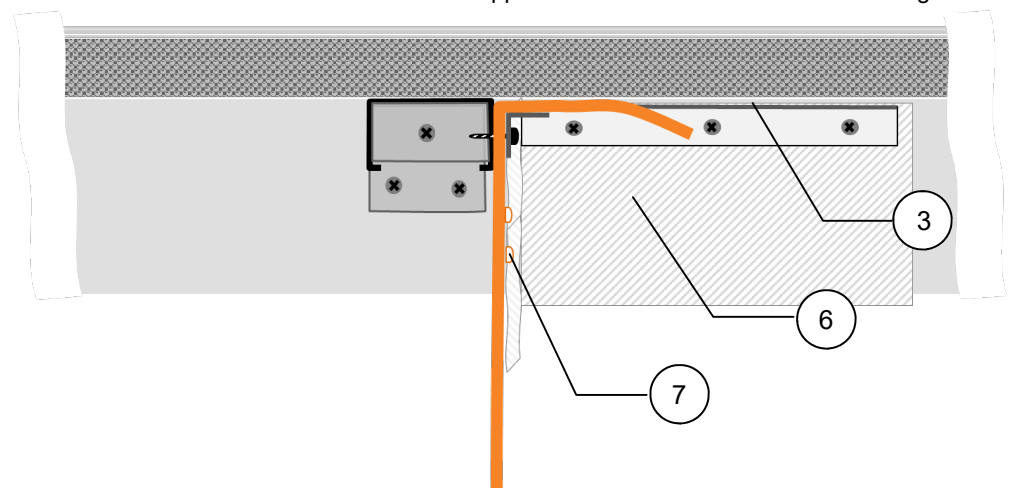
STEP 1.
Span between purlins with 50mm Stud/Metstrut channel cut, folded & fixed as per detail below



STEP 2.
Install Firebarrier to standard fix details



STEP 3.
Install Firehalt Collar Roll around 3 sides of the wrapped Purlin. Secure with 25mm Galv Angle



Make fixing tabs at both ends of 50mm stud channel by cutting min. 50mm along each corner and folding the side tabs inwards. Then bend the top tab down and secured to the purlins

Cut the Firehalt barrier just large enough to fit tightly around the wrapped purlin

#	DESCRIPTION	NOTES
1	FIREHALT BARRIER	
2	100mm OVERLAP	
3	25 x 25 x 0.7mm GALV ANGLE	250mm Fixing Centres
4	50mm STUD / METSTRUT CHANNEL	
5	NON-FIXABLE ROOF SHEET	
6	COLLAR ROLL	
7	BEADS OF FIREHALT HT ADHESIVE	



Tel : +44 (0)161 344 2484
 Fax : +44 (0)161 344 2486
 Email : sales@firehalt.com
 Web : www.firehalt.com

Fixing detail may not be suitable for all applications. If in doubt seek assistance from our technical staff or another qualified person before installation

Title: Top Fix Across Metal Purlins (Non-Fixable Roof Sheet)
 Recommended Engineered Solution

Products: Firehalt Barriers :
 SF
 Ultralite 30
 30:30
 60:30
 120:30

Fix Detail : # 6c
 Version: 1
 Date: 26/02/2018