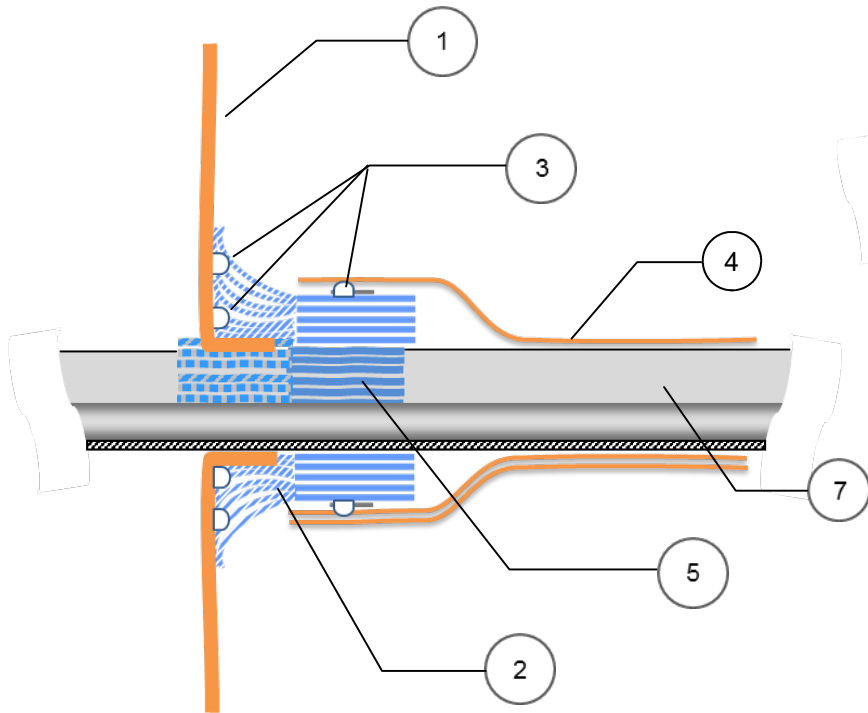
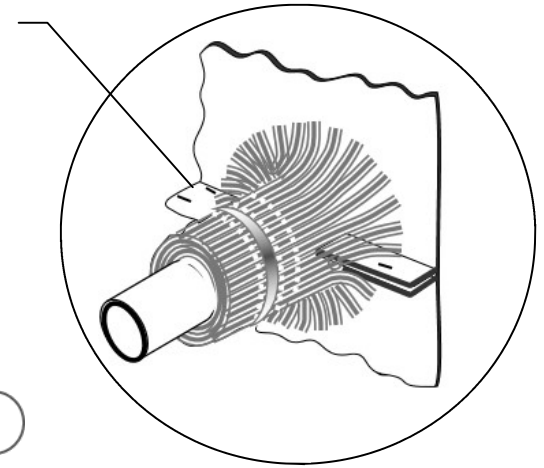


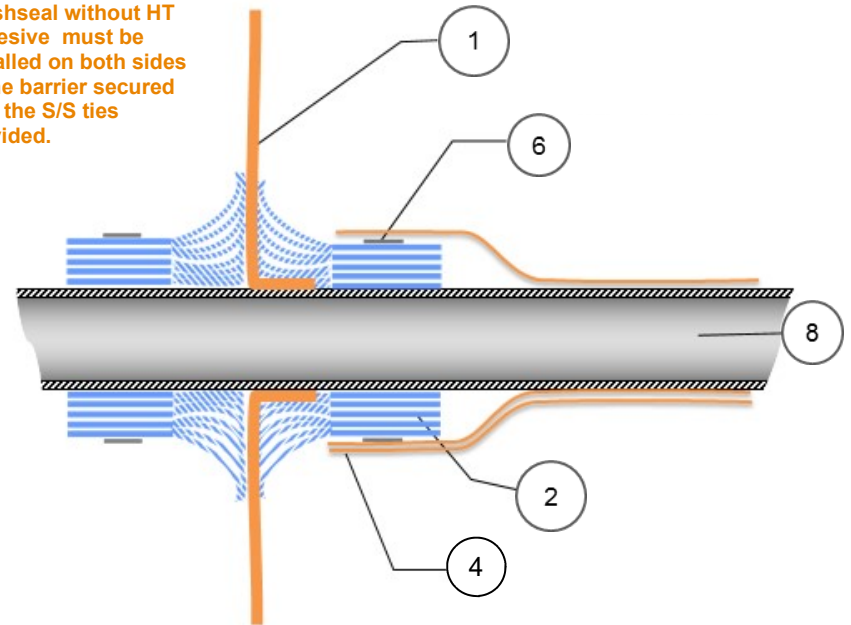
Brushseal installed with Firehalt HT Adhesive can be fixed on 1 side of a barrier with an over-sleeve of Firehalt fabric joined together with a 25mm folded and stapled seam.



When assessing the length of barrier needed for the vertical drop, add a minimum of 100mm for the top overlap, 100mm + for the bottom overlap and 100mm + for 50mm repair seam for the horizontal cut & balancing pleat



Brushseal without HT Adhesive must be installed on both sides of the barrier secured with the S/S ties provided.



#	DESCRIPTION	NOTES
1	FIREHALT BARRIER	
2	BRUSHSEAL	3 Wraps
3	BEADS OF FIREHALT HT ADHESIVE	
4	OVERSLEEVE OF FIREHALT	300mm Long
5	BRUSHSEAL FILLER	
6	S/S TIES	
7	CABLE TRAY	
8	METAL PIPE/DUCT	



Tel : +44 (0)161 344 2484  
 Fax : +44 (0)161 344 2486  
 Email : sales@firehalt.com  
 Web : www.firehalt.com

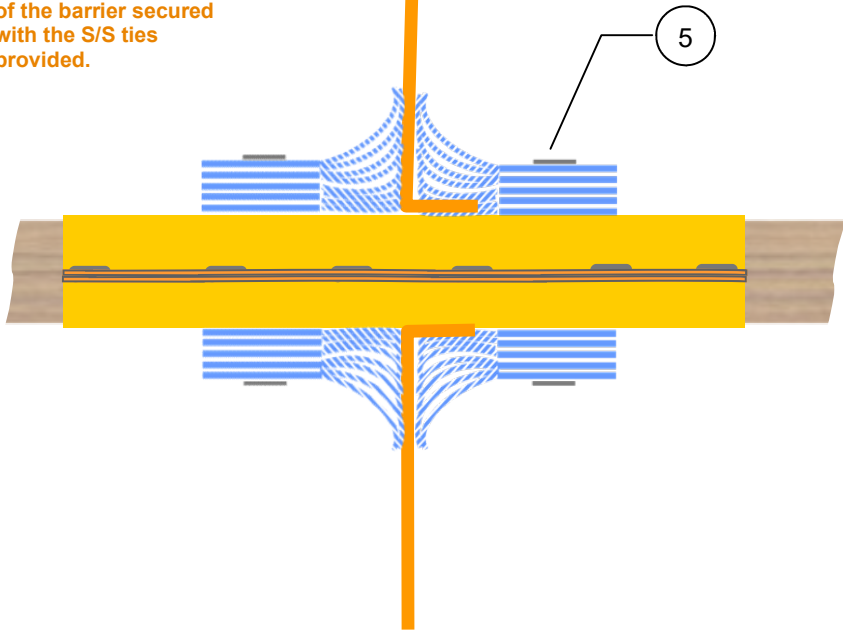
**Fixing detail may not be suitable for all applications. If in doubt seek assistance from our technical staff or another qualified person before installation**

Title:  
 Penetration Management - Brushseal  
 (Cable Trays & Metal Pipes/Ducts)  
 Recommended Engineered Solution

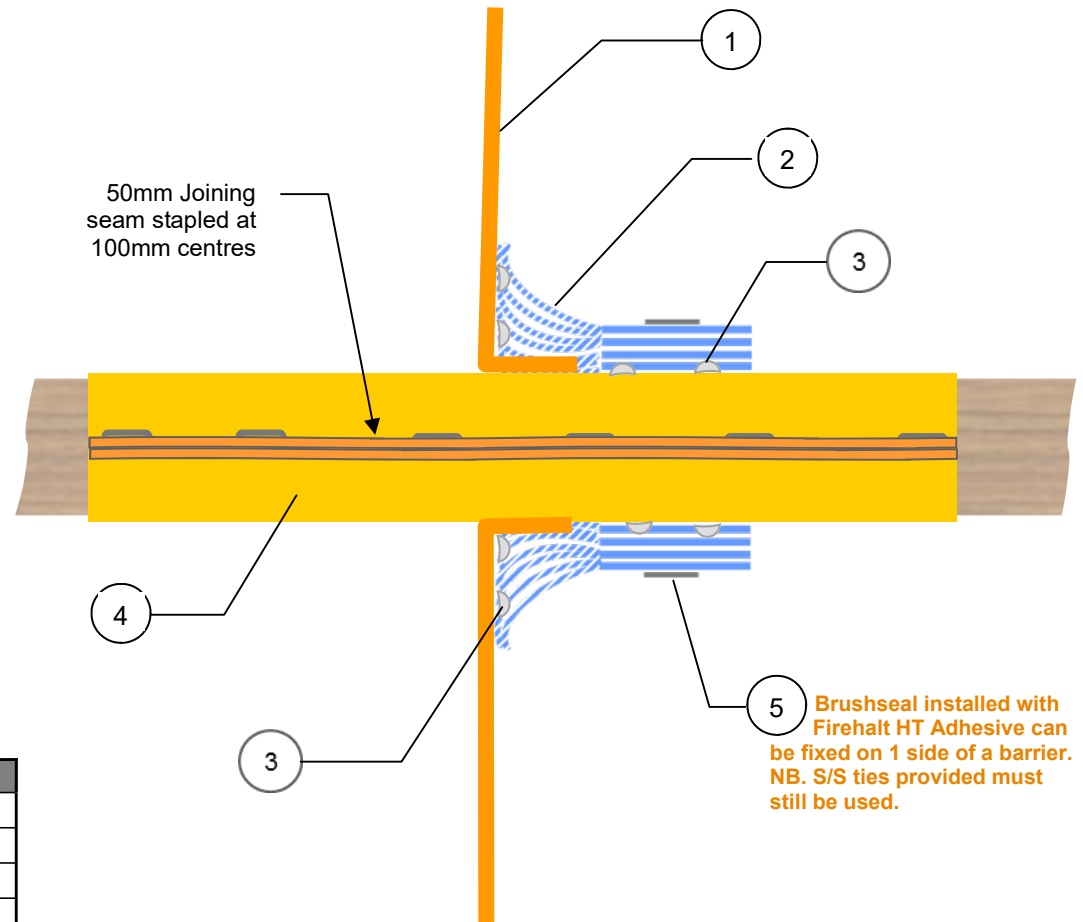
Products: Firehalt Barriers :  
 SF  
 Ultralite 30  
 30:30  
 60:30  
 120:30

Fix Detail : # 5a  
 Version: 2  
 Date: 26/02/2018

Brushseal without HT Adhesive must be installed on both sides of the barrier secured with the S/S ties provided.



50mm Joining seam stapled at 100mm centres



Brushseal installed with Firehalt HT Adhesive can be fixed on 1 side of a barrier. NB. S/S ties provided must still be used.

#	DESCRIPTION	NOTES
1	FIREHALT BARRIER	
2	BRUSHSEAL	3 Wraps
3	BEADS OF FIREHALT HT ADHESIVE	
4	600mm OVERSLEEVE OF FIREHALT	300mm Both Sides of Barrier
5	S/S TIES	
6	OVERSLEEVE OF FIREHALT FABRIC	
7		
8		



Tel : +44 (0)161 344 2484  
 Fax : +44 (0)161 344 2486  
 Email : sales@firehalt.com  
 Web : www.firehalt.com

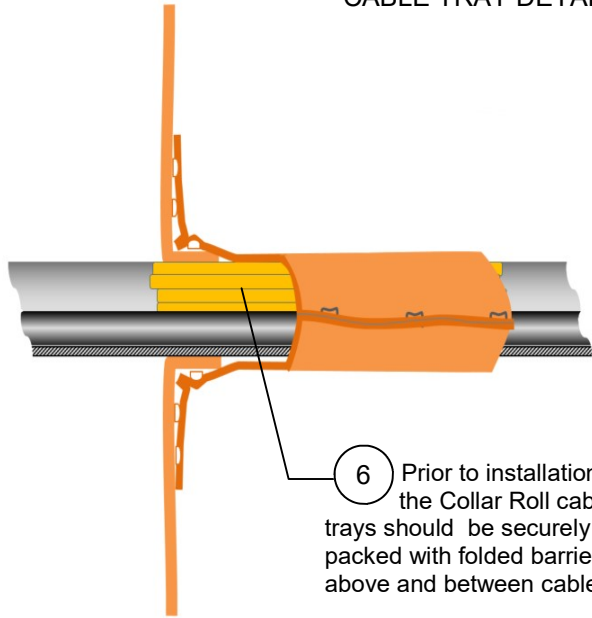
**Fixing detail may not be suitable for all applications. If in doubt seek assistance from our technical staff or another qualified person before installation**

Title:  
 Penetration Management - Brushseal (Timber Frames & Bracings)  
 Recommended Engineered Solution

Products: Firehalt Barriers :  
 SF  
 Ultralite 30  
 30:30  
 60:30  
 120:30

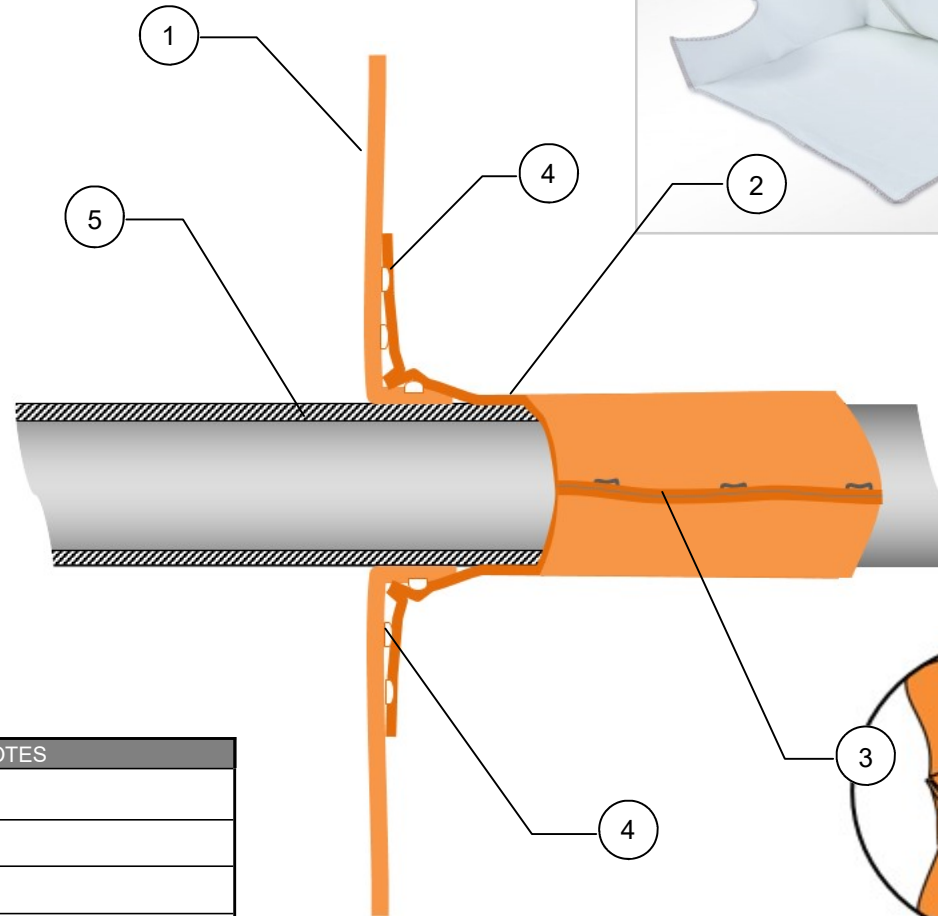
Fix Detail : # 5b  
 Version: 2  
 Date: 26/02/2018

CABLE TRAY DETAIL



6 Prior to installation of the Collar Roll cable trays should be securely packed with folded barrier above and between cables

METAL PIPE DETAIL



50mm Seam folded to 25mm & Staped at 100mm (max) Fixing Centres

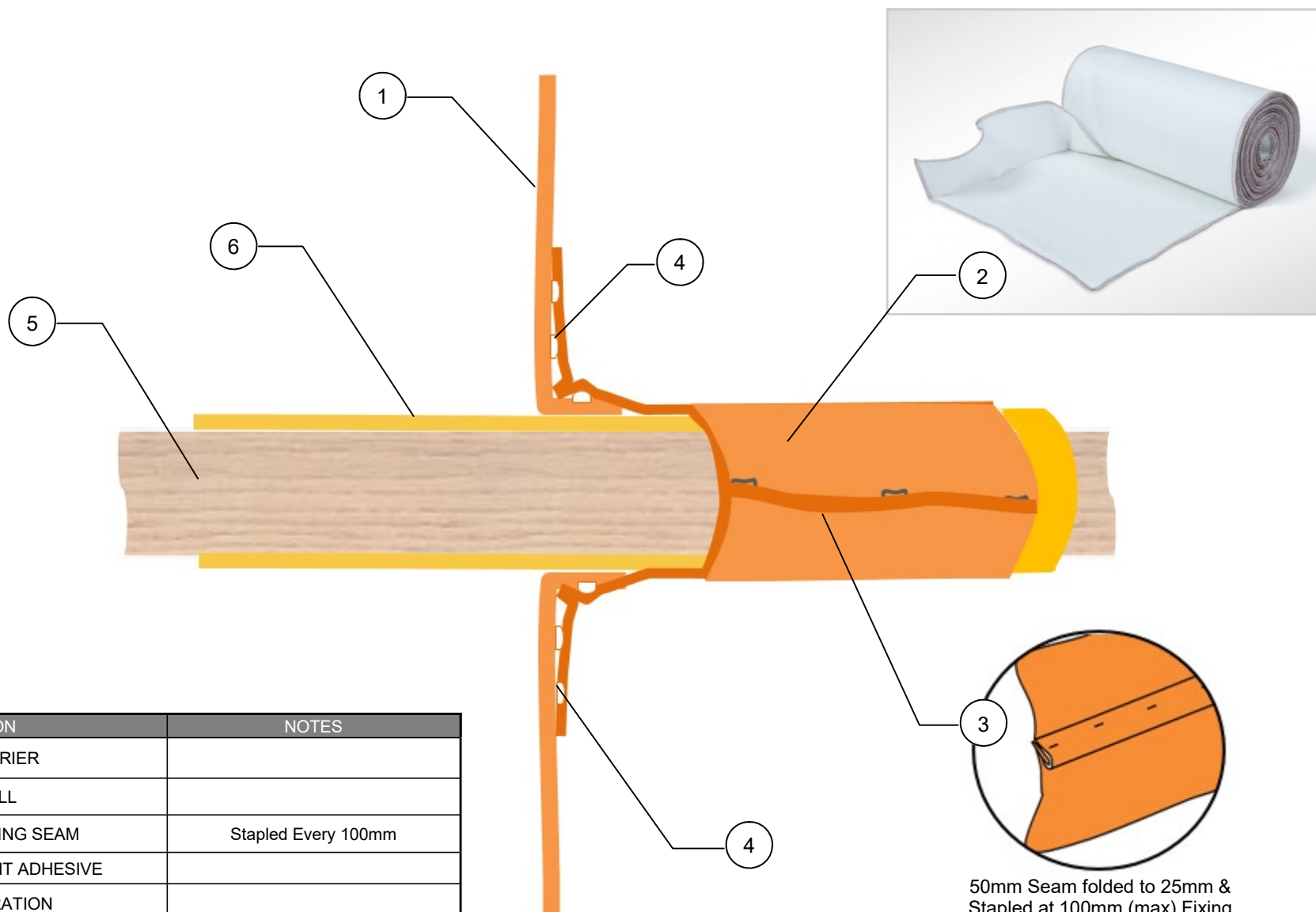
#	DESCRIPTION	NOTES
1	FIREHALT BARRIER	
2	COLLAR ROLL	
3	COLLAR ROLL JOINING SEAM	
4	BEADS OF FIREHALT HT ADHESIVE	
5	STEEL PIPE / CONDUIT	
6	600mm BARRIER OVERSLEEVE	300mm either side of barrier



Tel : +44 (0)161 344 2484  
 Fax : +44 (0)161 344 2486  
 Email : sales@firehalt.com  
 Web : www.firehalt.com

**Fixing detail may not be suitable for all applications. If in doubt seek assistance from our technical staff or another qualified person before installation**

Title: Collar Roll Installation	Products: Firehalt Barriers : SF Ultralite 30 30:30 60:30 120:30	Fix Detail : # 15a
Recommended Engineered Solution		Version: 2
		Date: 26/03/2018



#	DESCRIPTION	NOTES
1	FIREHALT BARRIER	
2	COLLAR ROLL	
3	COLLAR ROLL JOINING SEAM	Stapled Every 100mm
4	BEADS OF FIREHALT HT ADHESIVE	
5	TIMBER PENETRATION	
6	600mm BARRIER OVERSLEEVE	300mm either side of barrier

50mm Seam folded to 25mm & Stapled at 100mm (max) Fixing Centres



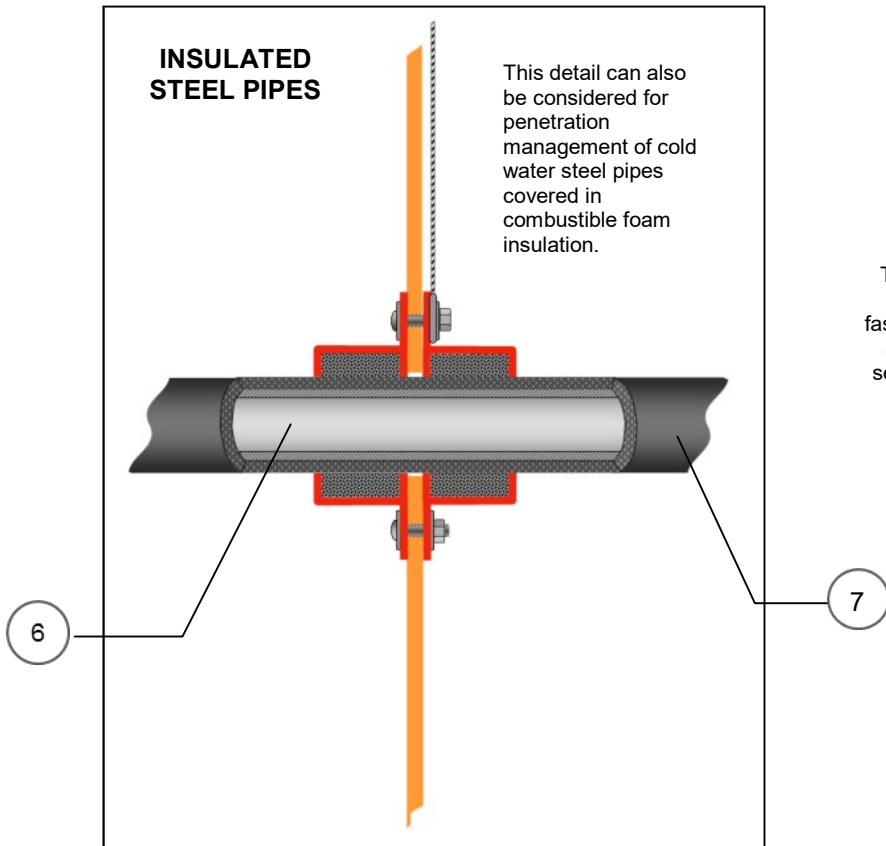
Tel : +44 (0)161 344 2484  
 Fax : +44 (0)161 344 2486  
 Email : sales@firehalt.com  
 Web : www.firehalt.com

**Fixing detail may not be suitable for all applications. If in doubt seek assistance from our technical staff or another qualified person before installation**

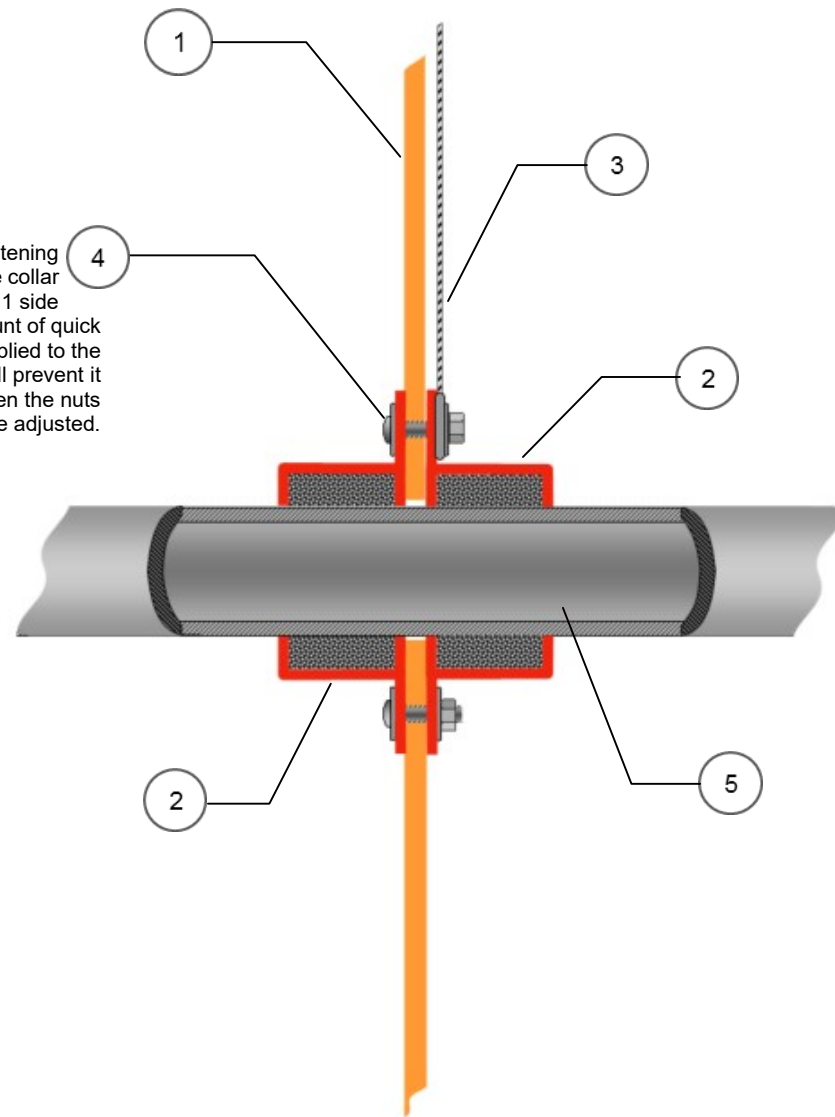
Title: Collar Roll Installation - Timber	Products: Firehalt Barriers : SF Ultralite 30 30:30 60:30 120:30	Fix Detail : # 15b
		Version: 2
Recommended Engineered Solution		Date: 26/03/18

### INSULATED STEEL PIPES

This detail can also be considered for penetration management of cold water steel pipes covered in combustible foam insulation.



To aid the tightening of the fire collar fastenings from 1 side a small amount of quick setting glue applied to the bolt heads will prevent it spinning when the nuts are adjusted.



#	DESCRIPTION	NOTES
1	FIREHALT BARRIER	
2	PROPRIETARY FIRE COLLAR	Suitable for type and size of plastic pipe
3	SUPPORTING HANGER	Anchored to Top Fix
4	GLUE FIXING AID	
5	PLASTIC PIPE	
6	COLD WATER STEEL PIPE	
7	FOAM INSULATION	



Tel : +44 (0)161 344 2484  
 Fax : +44 (0)161 344 2486  
 Email : sales@firehalt.com  
 Web : www.firehalt.com

**Fixing detail may not be suitable for all applications. If in doubt seek assistance from our technical staff or another qualified person before installation**

Title: Penetration Management - Plastic Pipes

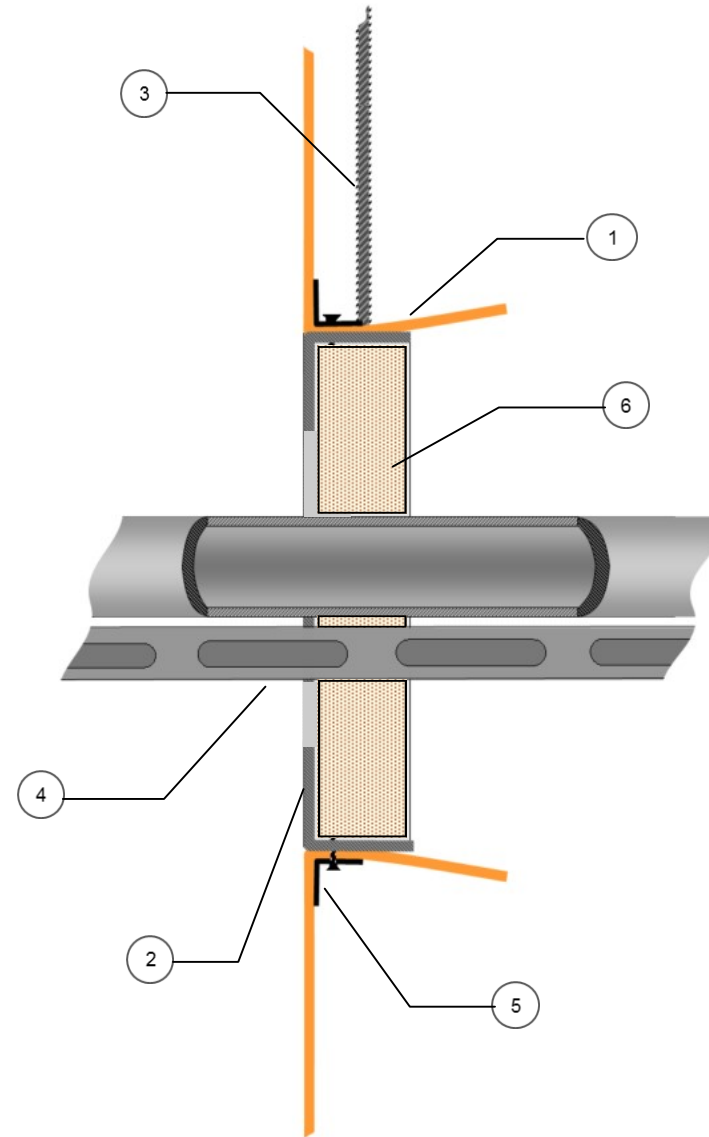
Recommended Engineered Solution

Products: Firehalt Barriers :  
 SF  
 Ultralite 30  
 30:30  
 60:30  
 120:30

Fix Detail : # 18

Version: 1

Date: 09/03/2018



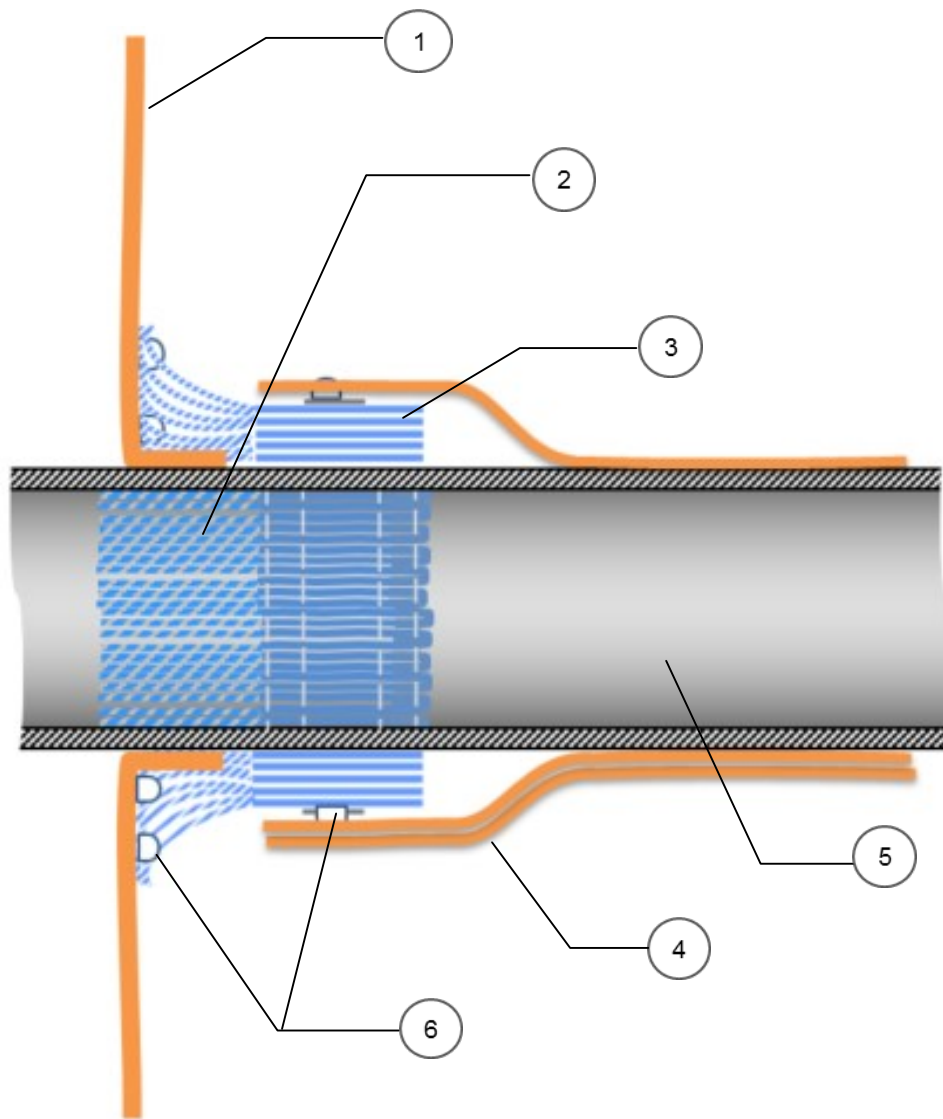
#	DESCRIPTION	With
1	FIREHALT BARRIER	With 100mm Overlaps
2	4 SIDED FRABICATED ANGLE FRAME	Fabricated To Manufacturers Instructions
3	SUITABLE HANGER SUPPORT SYSTEM	
4	LARGER OR MULTI-SERVICE PENETRATIONS	
5	25 x 25mm GALV ANGLE CLAMP	See Standard Fixing Details
6	PROPRIETRY FIREBATT	Installed To Manufacturers Instructions



Tel : +44 (0)161 344 2484  
 Fax : +44 (0)161 344 2486  
 Email : sales@firehalt.com  
 Web : www.firehalt.com

**Fixing detail may not be suitable for all applications. If in doubt seek assistance from our technical staff or another qualified person before installation**

Title: Fixing detail to Fire Stopping supporting frame for firebatt  Recommended Engineered Solution	Products: Firehalt Barriers : SF Ultralite 30 30:30 60:30 120:30	Fix Detail : <b># 21</b>
		Version: <b>3</b>
		Date: <b>16/11/17</b>



#	DESCRIPTION	NOTES
1	FIREHALT BARRIER	
2	BRUSHSEAL PACKING	Brushseal folded & packed to generously fill the web of " I " section
3	BRUSHSEAL WRAP	3 Wraps
4	300mm BARRIER OVER-SLEEVE	Wrapped around the Brushseal & beam - joined with a 50mm stapled joint
5	STEEL " I " SECTION BEAM/COLUMN	
6	BEADS OF FIREHALT HT ADHESIVE	



Tel : +44 (0)161 344 2484  
 Fax : +44 (0)161 344 2486  
 Email : sales@firehalt.com  
 Web : www.firehalt.com

**Fixing detail may not be suitable for all applications. If in doubt seek assistance from our technical staff or another qualified person before installation**

Title: Penetration Management of Steel Beams and Columns

Products: Firehalt Barriers :  
 SF  
 Ultralite 30  
 30:30  
 60:30  
 120:30

Fix Detail : # 22

Version: 3

Date: 30/11/2017

Recommended Engineered Solution