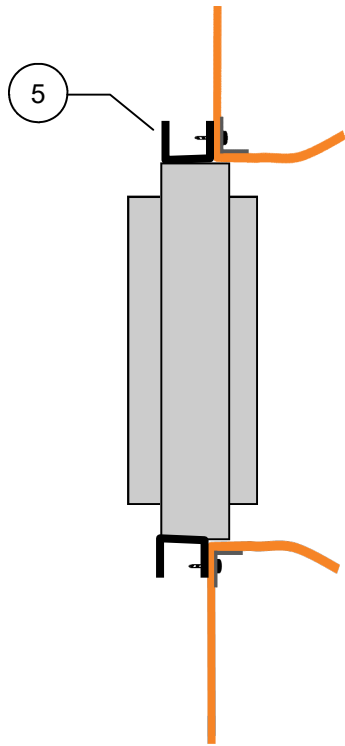
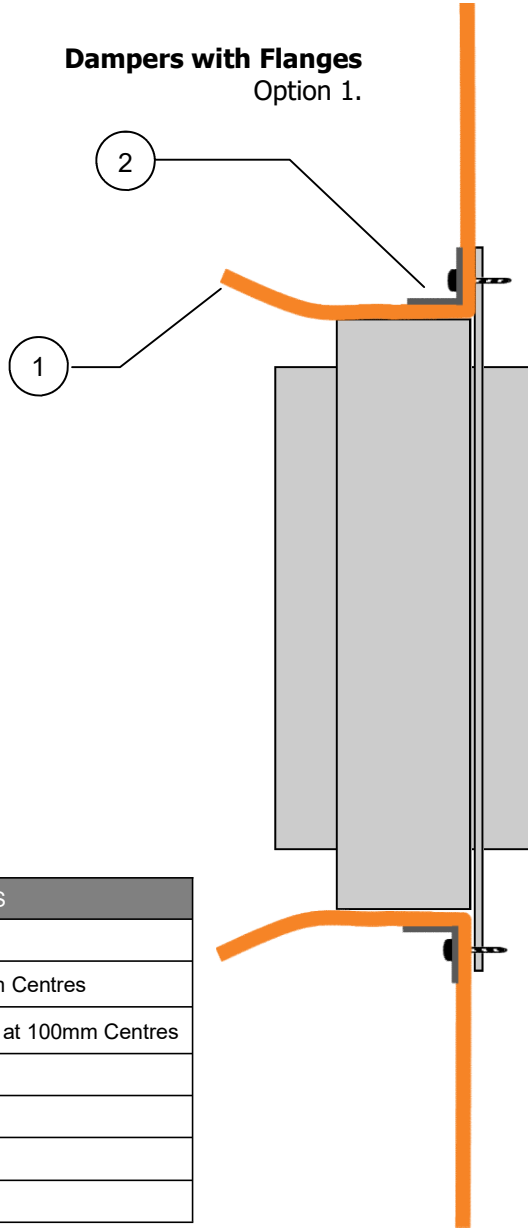


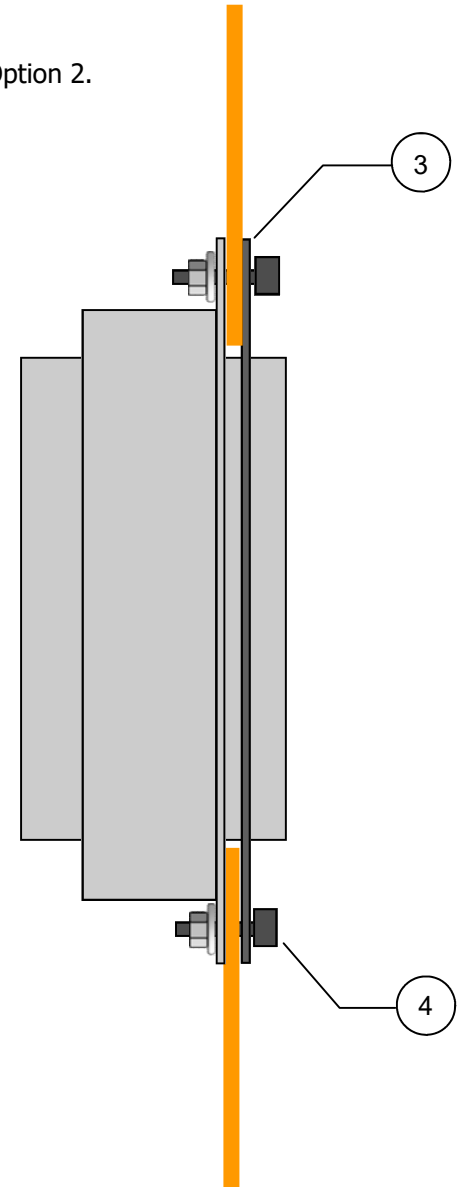
Damper without flanges



Dampers with Flanges Option 1.



Option 2.

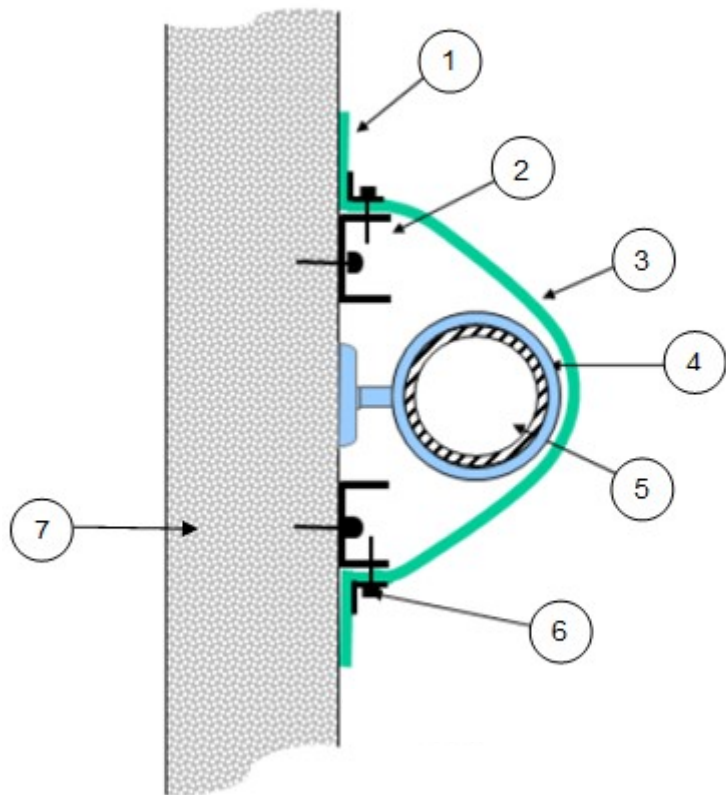


| # | DESCRIPTION | NOTES |
|---|----------------------------------|--|
| 1 | FIREHALT BARRIER / 100mm OVERLAP | |
| 2 | 25 x 25 x 0.7mm GALV CLAMP ANGLE | Fixed at 100mm Centres |
| 3 | SUITABLE FLANGE CLAMP | Bolted to Damper Flange at 100mm Centres |
| 4 | SUITABLE BOLTS, NUTS & WASHERS | |
| 5 | CONSTRUCTED CHANNEL FRAME | |
| 6 | | |
| | | |



Tel : +44 (0)161 344 2484
 Fax : +44 (0)161 344 2486
 Email : sales@firehalt.com
 Web : www.firehalt.com

| | | |
|-----------------------------------|---|-------------------|
| Title: Fitting to Fire Dampers | Products: Firehalt Barriers : SF Ultralite 30 | Fix Detail : # 16 |
| | 30:30 60:30 120:30 | Version: 1 |
| Fire Engineered Detail | | Date: 22/03/18 |



Application

The Firehalt 120/30(Gold) required to provide compartmentation around an installed uPVC pipe to reduce the fire loading within the ceiling cavity.

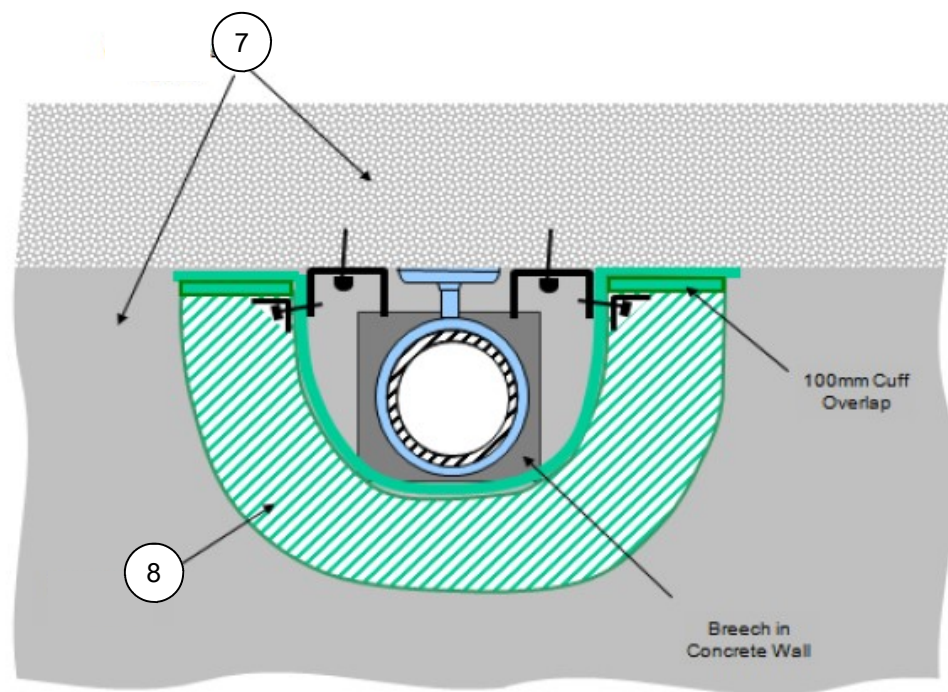
effective alternative to a rigid fire board construction.

Installation

The installation utilises all the standard fixing elements associated with the Firehalt range of products as shown. The resulting installation provides a cost

Please Note

This detail has been formally assessed by Warringtonfire and then subsequently successfully tested at Warringtonfire laboratories on behalf of the end client.

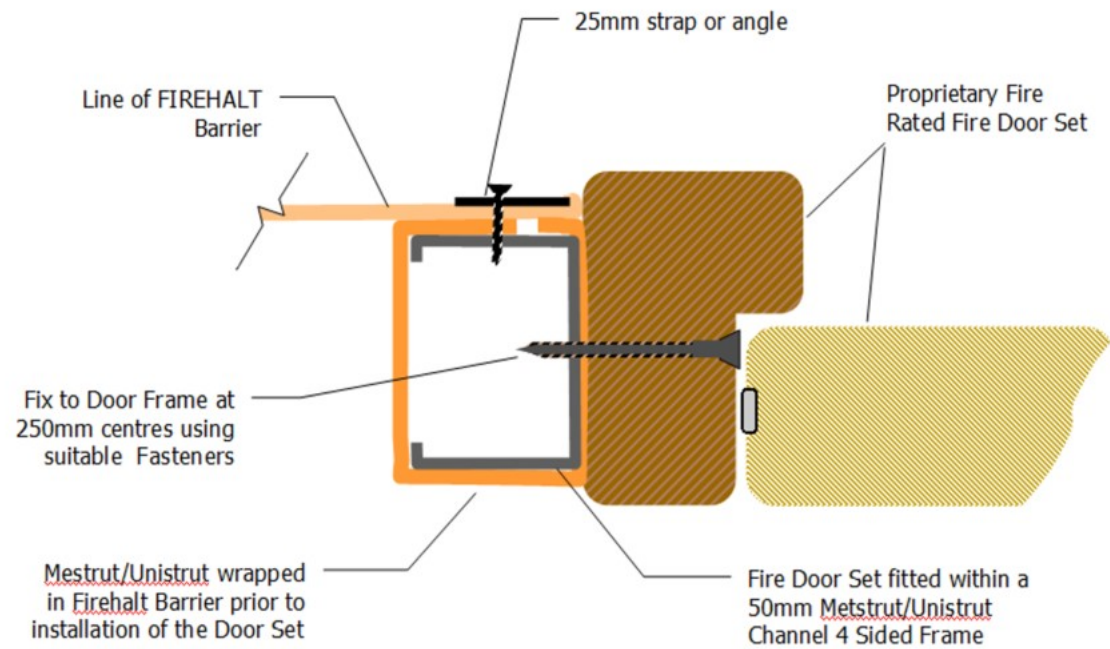
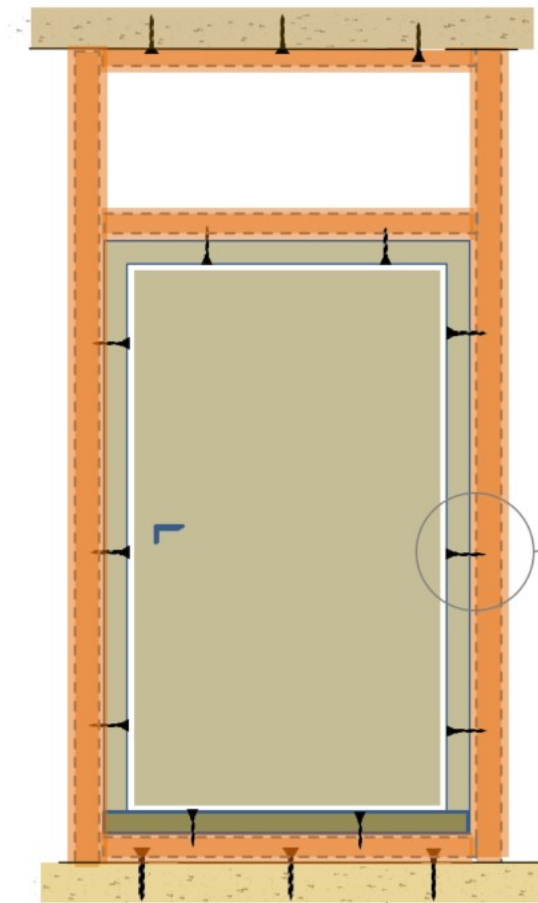


| # | DESCRIPTION | NOTES |
|---|----------------------------------|--|
| 1 | 100mm OVERLAP | |
| 2 | 50mm STUD / TRACK | |
| 3 | 120:30 FIREHALT BARRIER | Joins Over Lapped 100mm |
| 4 | PIPE BRACKET | Fixed at 250mm Centres |
| 5 | uPVC VENT PIPE | |
| 6 | 28 x 25 x 0.7mm GALV CLAMP ANGLE | Fixed at 250mm Centres |
| 7 | CONCRETE WALL / SOFFIT | |
| 8 | FIREHALT COLLAR ROLL | Fixed to Wall/Soffit with Firehalt HT Adhesive |



Tel : +44 (0)161 344 2484
 Fax : +44 (0)161 344 2486
 Email : sales@firehalt.com
 Web : www.firehalt.com

| | | |
|---------------------------------------|--|-------------------|
| Title: uPVC Pipe Encasement | Products: Firehalt 120:30 Firehalt Collar Roll | Fix Detail : # 23 |
| Assessment Ref: WF 178495 | | Version: 1 |
| | | Date: 12/04/2018 |



Tel : +44 (0)161 344 2484
 Fax : +44 (0)161 344 2486
 Email : sales@firehalt.com
 Web : www.firehalt.com

| | | |
|--|---|---|
| <p>Title: Using a FD30 Timber Fire Doors Set with Firehalt Fire Barriers</p> | <p>Products: All Firehalt barriers with 15min or 30 min Insulation values</p> | <p>Fix Detail : # 24</p> |
| <p>Assessment Ref: WF 388326_2</p> | | <p>Version: v1 Date: 12/04/2018</p> |