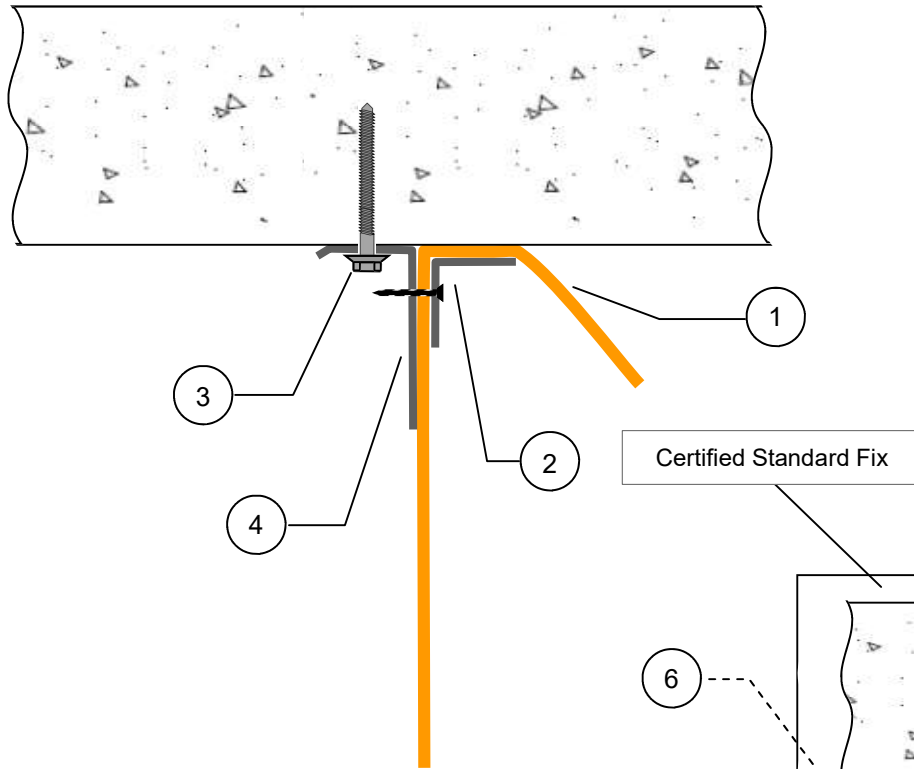
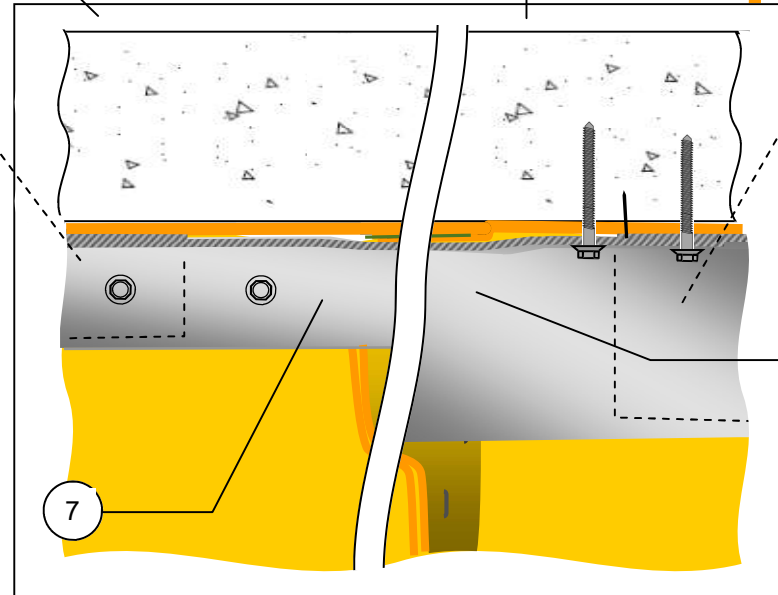
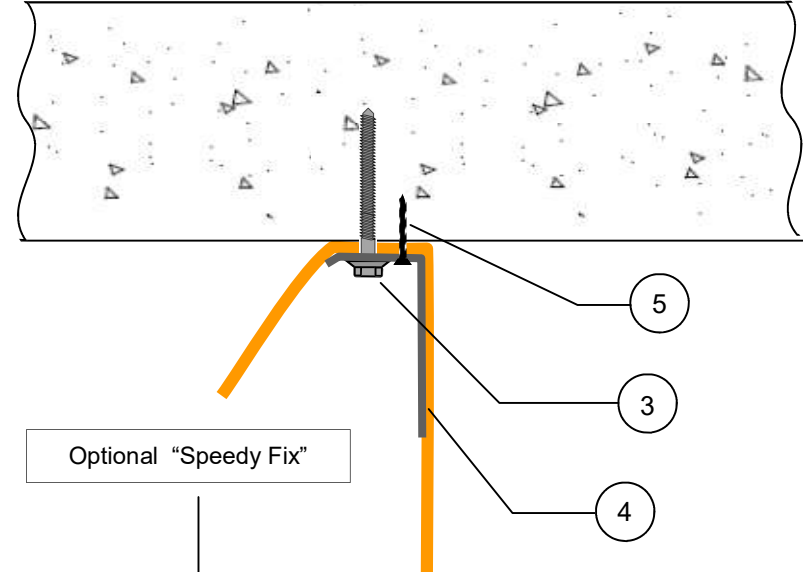


Option 1.



Option 2.



BRIDGING ANGLES
Individual clamping angles should be left short on either side of a vertical joint. Once the stapled joint is complete a bridging piece should be inserted to complete the top fix. This should be long enough to overlap the clamping angles by approx 100mm.

#	DESCRIPTION	NOTES
1	FIREHALT BARRIER / 100mm OVERLAP	At all Peripheral Fixing Points
2	25 x 25 x 0.7mm GALV ANGLE	250mm Fixing Centres
3	SUITABLE FIXING ANCHORS	250mm Fixing Centres
4	50 x 25 x 0.7mm GALV ANGLE	250mm Fixing Centres
5	SUITABLE TEMPORARY 1st FIXING	
6	1st FIX CLAMPING ANGLES	
7	50 x 25 x 0.7mm GALV ANGLE	Used as Speedy Fix Clamping

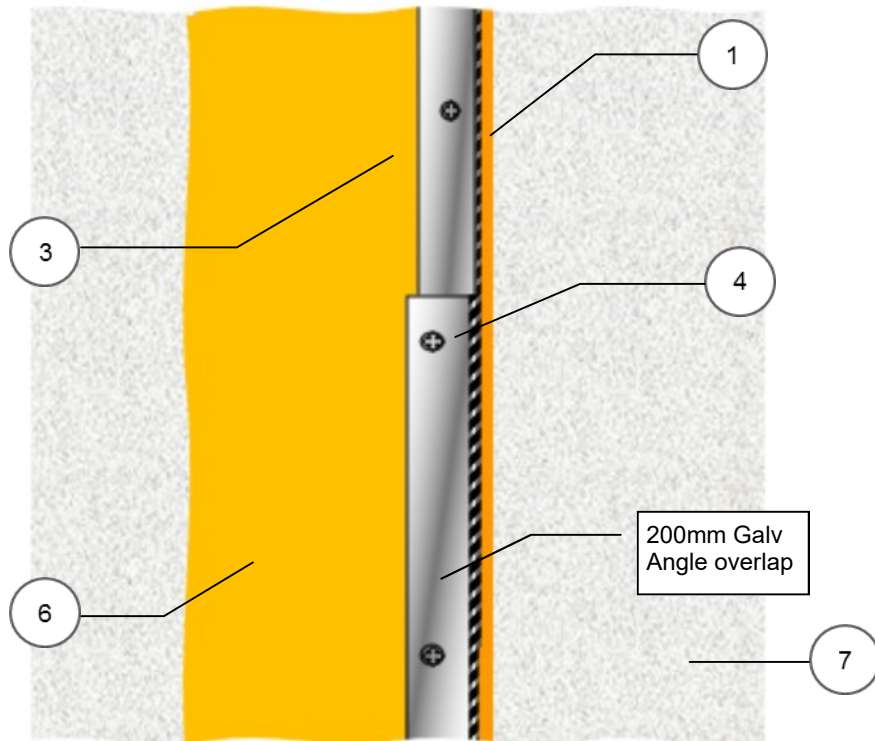


Tel : +44 (0)161 344 2484
 Fax : +44 (0)161 344 2486
 Email : sales@firehalt.com
 Web : www.firehalt.com

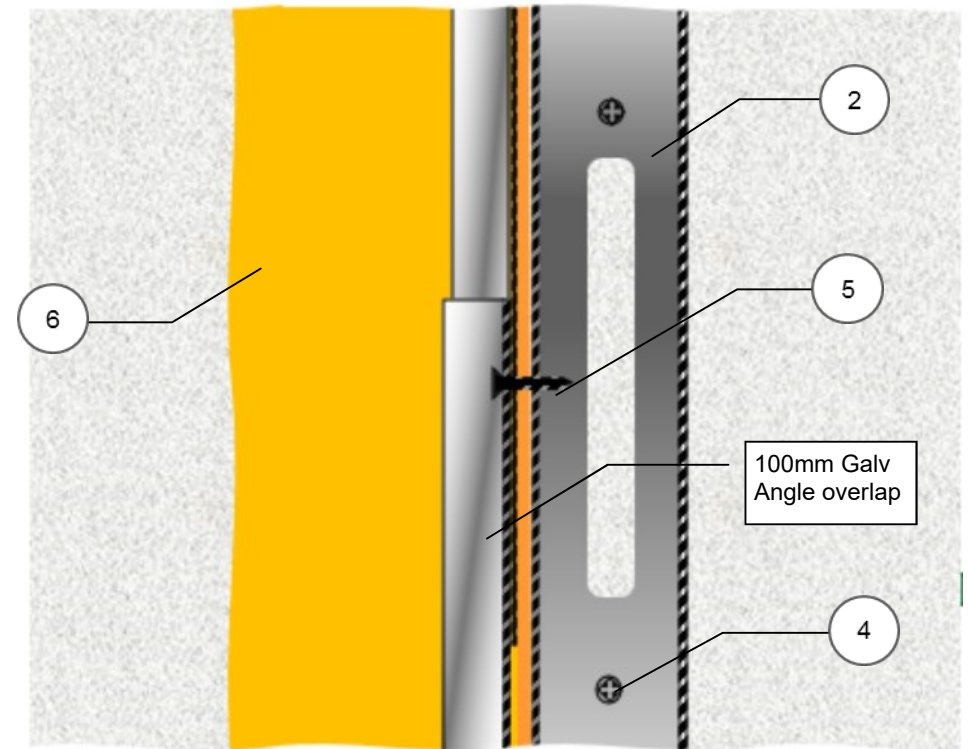
Fixing detail may not be suitable for all applications. If in doubt seek assistance from our technical staff or another qualified person before installation

Title: Top Fix (Vertical Installation)	Products: All Barriers	Fix Detail : # 1
Certification Ref: All IFC & LPCB (option 1)		Version: 2
		Date: 01/03/2018

Option 1. Secure to wall through galv angle with suitable Fixings at 250mm centres



Option 2. First secure 50 x 25mm Angle or 50mm Stud to Wall with suitable fixings at 250mm centres.



#	DESCRIPTION	NOTES
1	FIREHALT BARRIER	CROSS SECTION
2	50mm STUD/50 X 25mm GALV ANGLE	250mm FIXING CENTRES
3	25 X 25mm GALV ANGLE	250mm FIXING CENTRES
4	ANCHOR FIXINGS	
5	SELF TAP SCREWS	
6	100mm OVERLAP	
7	SIDE WALL	

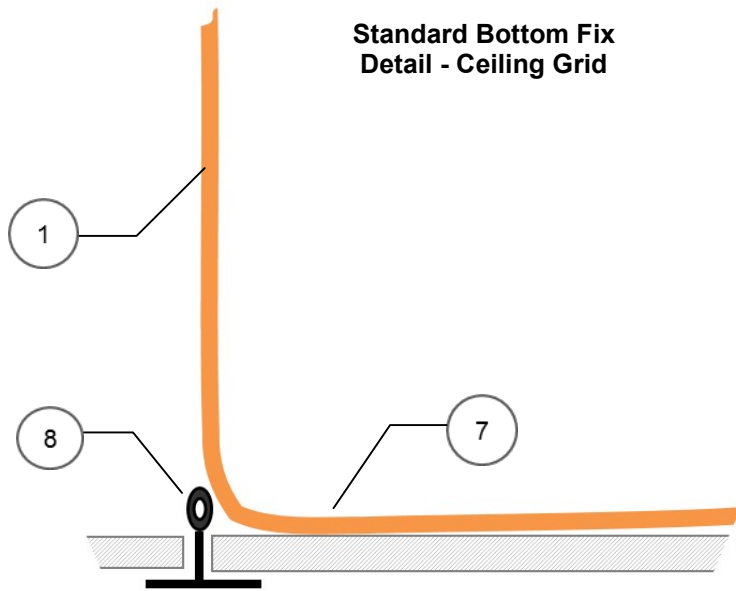


Tel : +44 (0)161 344 2484
 Fax : +44 (0)161 344 2486
 Email : sales@firehalt.com
 Web : www.firehalt.com

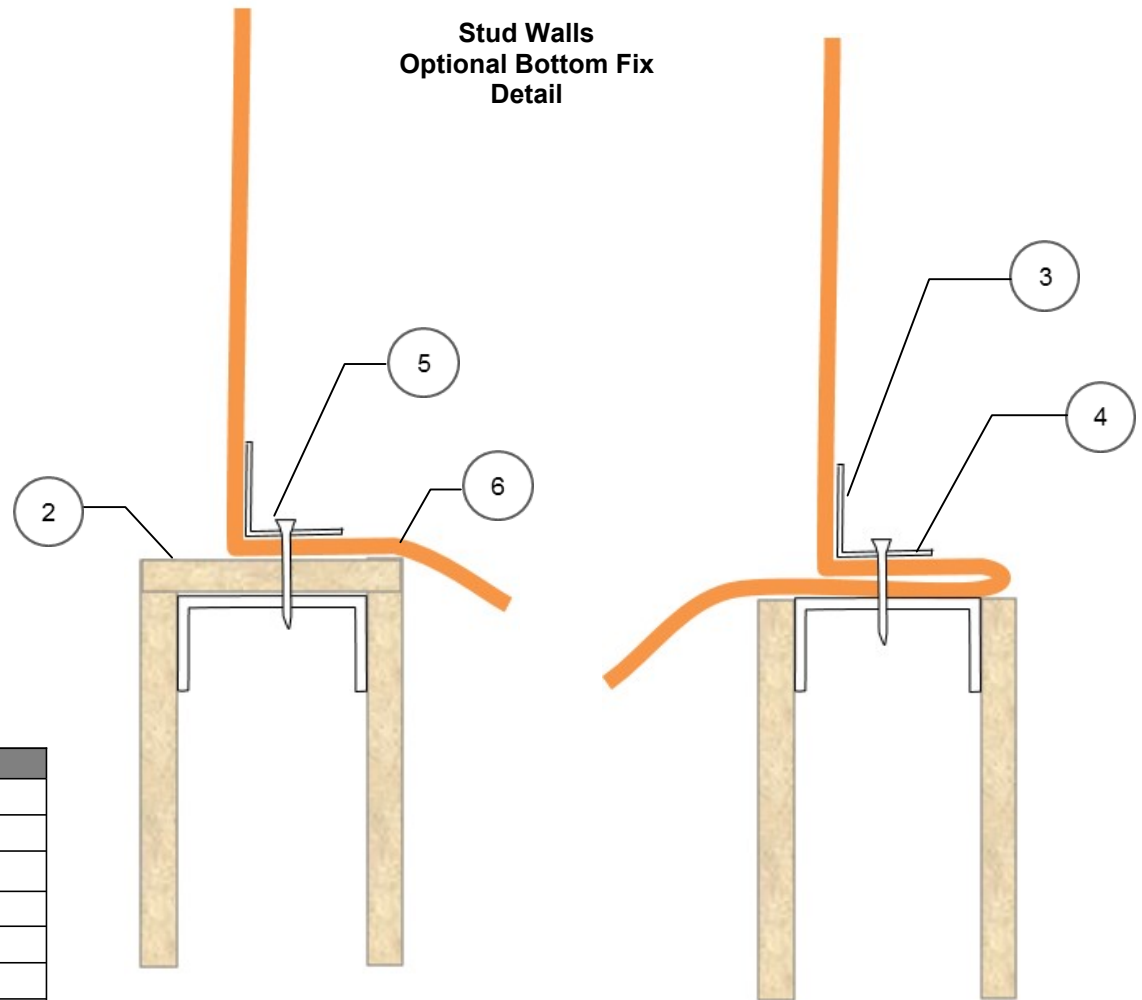
Fixing detail may not be suitable for all applications. If in doubt seek assistance from our technical staff or another qualified person before installation

Title: Side Fix Options	Products: All Barriers	Fix Detail : # 2
Certification Ref: All IFC & LPCB		Version: 1
		Date: 01/03/2018

**Standard Bottom Fix
Detail - Ceiling Grid**

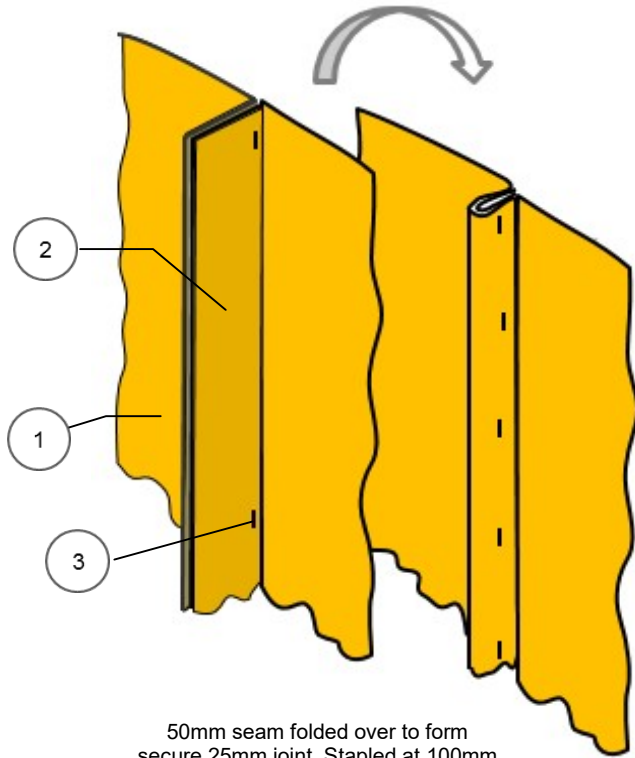


**Stud Walls
Optional Bottom Fix
Detail**



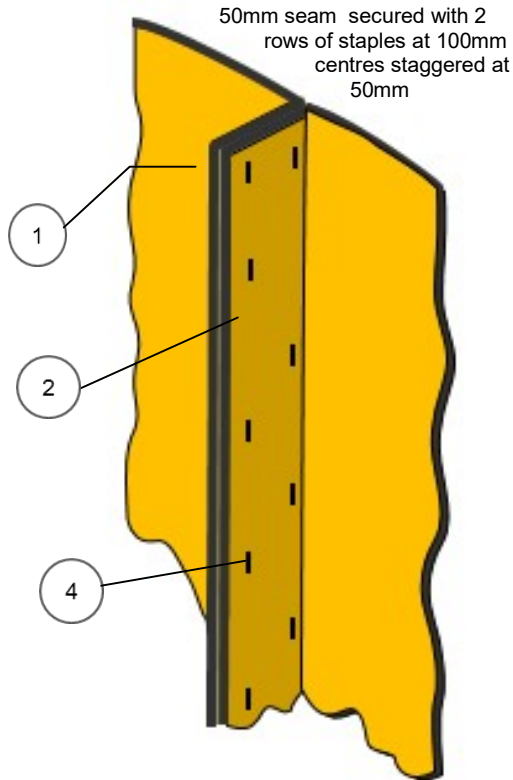
#	DESCRIPTION	NOTES
1	FIREHALT BARRIER	See Product List
2	PLASTERBOARD/FIREBOARD CAP	
3	25 X 25mm GALV ANGLE	
4	FOLDED FIREHALT BARRIER CAP	If Board Capping Is Missing
5	SELF TAP SCREWS	Min. 250mm Fixing Centres
6	100mm OVERLAP	
7	400mm OVERLAP	
8	EXISTING CEILING SYSTEM	
9		

FirehaltSF Smoke & Flame Barriers



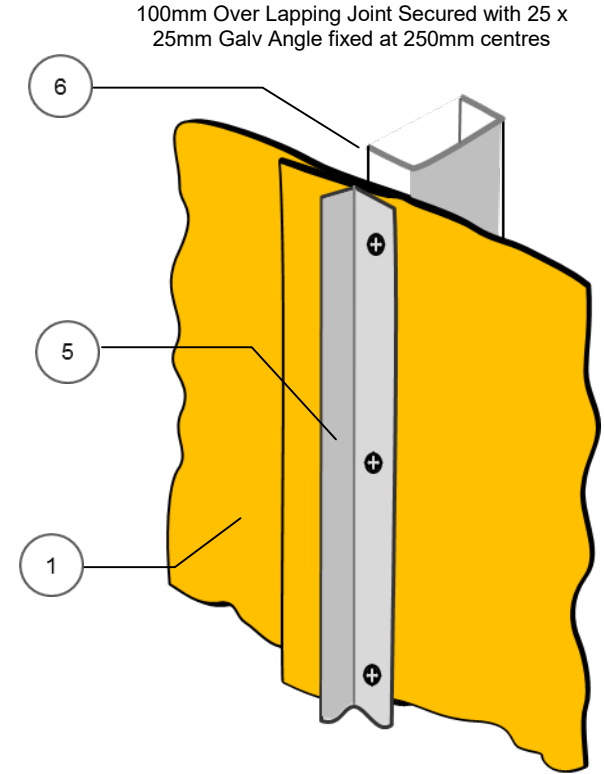
50mm seam folded over to form secure 25mm joint. Stapled at 100mm centres

All Firehalt Insulated Barriers



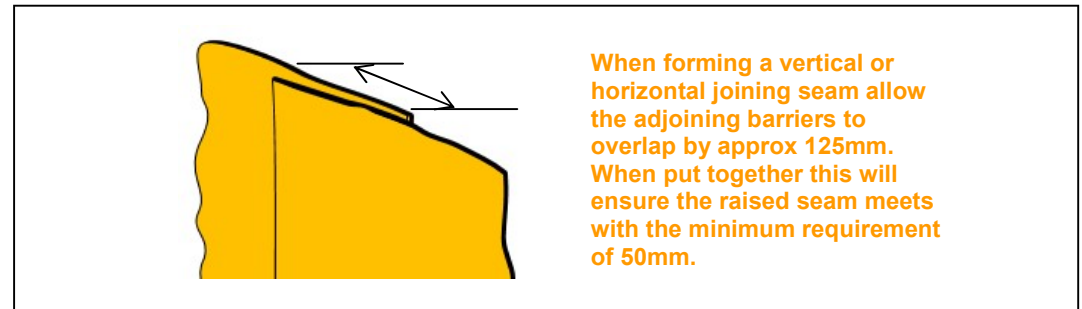
50mm seam secured with 2 rows of staples at 100mm centres staggered at 50mm

Where Additional Metal Support is Required



100mm Over Lapping Joint Secured with 25 x 25mm Galv Angle fixed at 250mm centres

#	DESCRIPTION	NOTES
1	FIREHALT BARRIER	
2	HORIZONTAL & VERTICAL JOINT SEAMS	MINIMUM 50mm
3	FIREHALT STAPLES	8mm OR 10mm
4	FIREHALT STAPLES	12 mm OR 16mm
5	25 X 25mm GALV ANGLE	FIXINGS AT 250mm CENTRES
6	METAL STUD OR METSTRUT	



When forming a vertical or horizontal joining seam allow the adjoining barriers to overlap by approx 125mm. When put together this will ensure the raised seam meets with the minimum requirement of 50mm.



Tel : +44 (0)161 344 2484
 Fax : +44 (0)161 344 2486
 Email : sales@firehalt.com
 Web : www.firehalt.com

Fixing detail may not be suitable for all applications. If in doubt seek assistance from our technical staff or another qualified person before installation

Title: Standard Vertical & Horizontal Joining Seams

Certification Ref: LPCB 552a / IFCC 1334

Products: All SF and Insulated Barriers

Fix Detail : # 4

Version: 2

Date: 01/03/2018