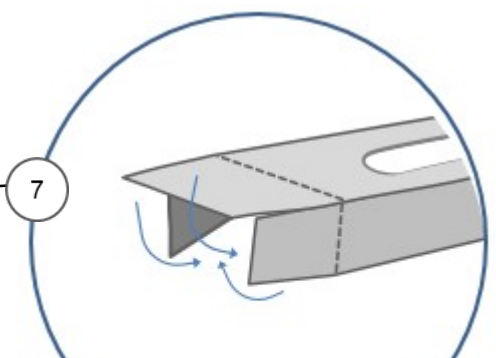
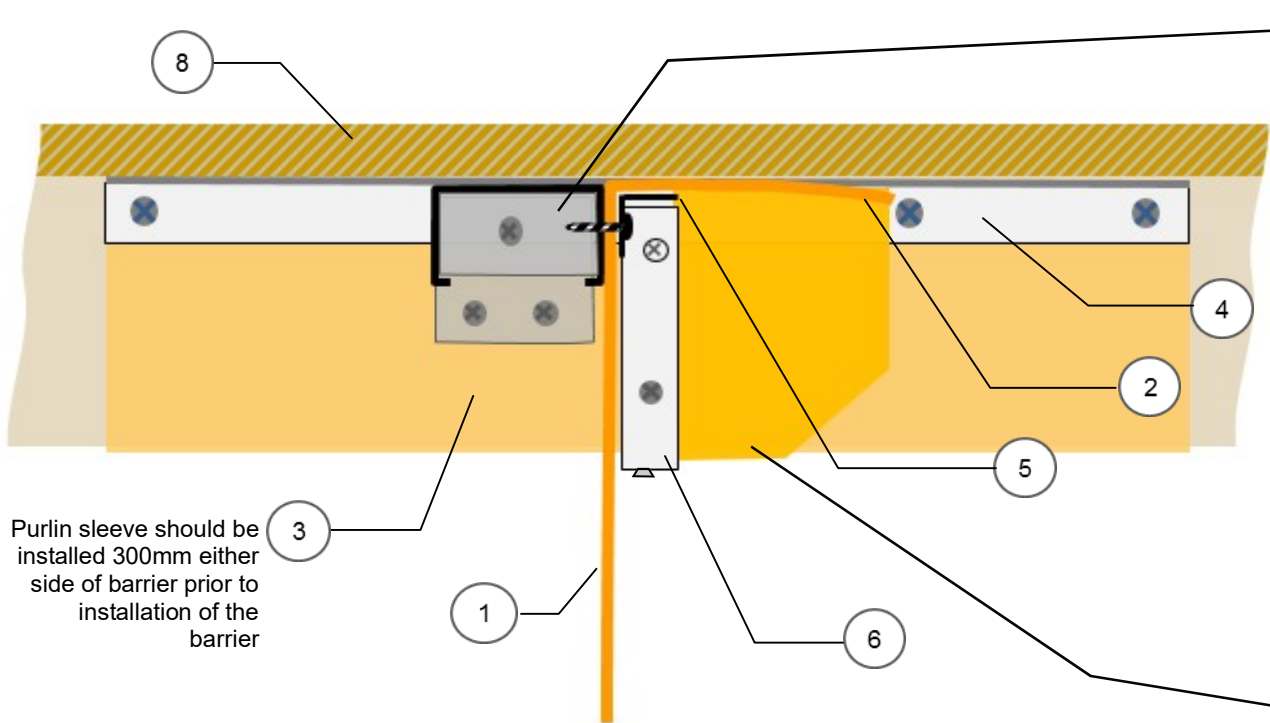
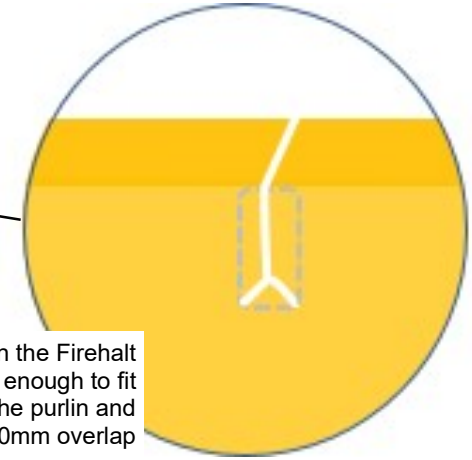


When fixing into roof sheets is not advisable, span between purlins with 50mm metal stud or 40 x 40mm Metstrut if purlin centres exceed 600mm



Make fixing tabs at the ends of the supporting 50mm stud channel by cutting min. 50mm along each corner and folding the side tabs inwards. Then bend the top tab down and secured to the purlins

Purlin sleeve should be installed 300mm either side of barrier prior to installation of the barrier



A 'Y' cut is made in the Firehalt barrier just large enough to fit tightly around the purlin and maintain the 100mm overlap

#	DESCRIPTION	NOTES
1	FIREHALT BARRIER	
2	100mm OVERLAP	
3	600mm BARRIER SLEEVE	Fixed 300mm either side of the vertical barrier
4	26 x 25 x 0.7mm GALV ANGLE	250mm Fixing Centres
5	27 x 25 x 0.7mm GALV ANGLE	Clamping Angle for vertical Barrier
6	28 x 25 x 0.7mm GALV ANGLE	Clamping Angle to fix cut Overlaps
7	METAL STUD/METSTRUT CHANNEL	
8	ROOF SHEET	



Tel : +44 (0)161 344 2484
 Fax : +44 (0)161 344 2486
 Email : sales@culimeta-saveguard.com
 Web : www.firehalt.com

This fixing detail is for guidance purposes only. If in doubt seek approval from Building Control or another qualified person before installation

Title: Spanning support between purlins	Products: All 15min and 30 min Insulation Firehalt fire barriers .	Fix Detail : # 16
Certification Ref:		Version: # 2
		Date: 16/08/17