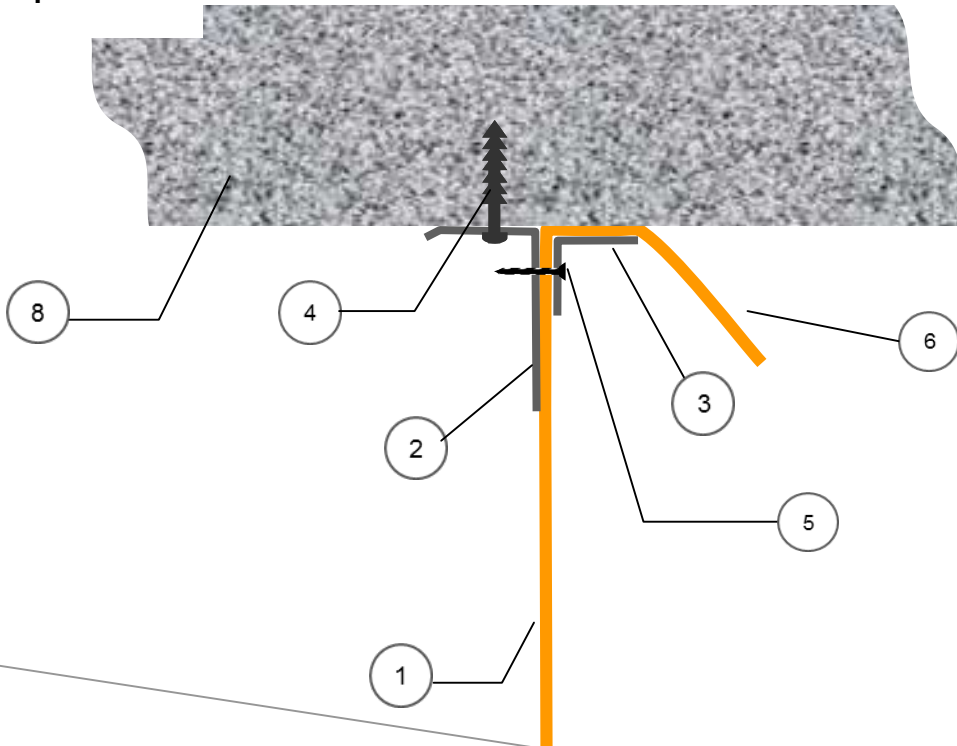
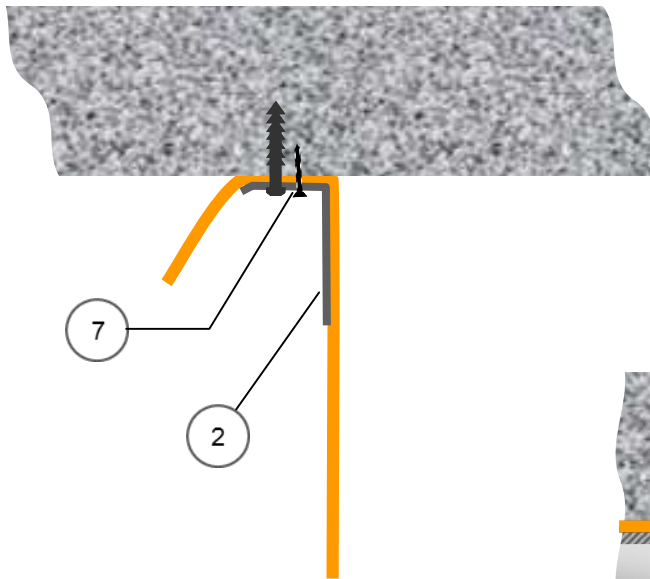


Standard Top Fix Detail

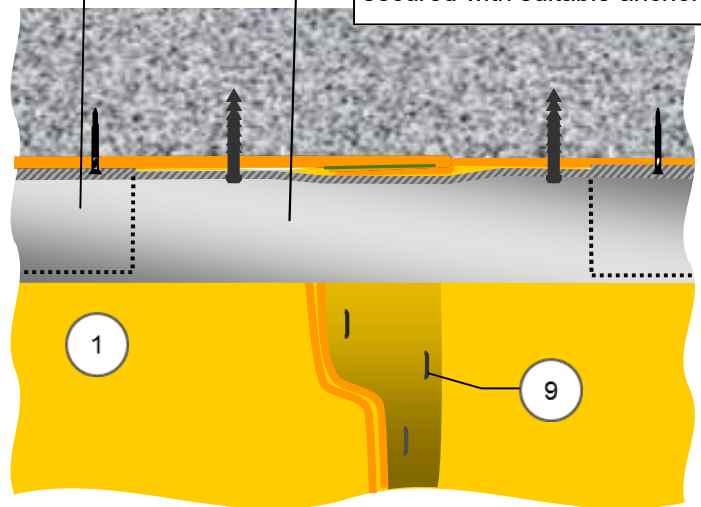


Alternative 'Speedy' Fix Detail



First-fix 50 x 25mm angles are secured with temporary fasteners. These angles should be left short either side of any vertical seams

Bridging angle pieces are fitted overlapping first-fix angles by 200mm minimum. All angles must then be fully secured with suitable anchors



#	DESCRIPTION	NOTES
1	FIREHALT BARRIER	CROSS SECTION
2	50mm STUD / 50 X 25mm GALV ANGLE	
3	25 X 25mm GALV ANGLE	
4	FIRE RATED ANCHOR FIXINGS	250mm FIXING CENTRES
5	SELF TAP SCREWS	
6	100mm OVERLAP	
7	TEMPORARY FIXINGS	
8	SLAB / ROOF SHEET	
9	FIREHALT STAPLES 8, 10, 12 or 16mm	