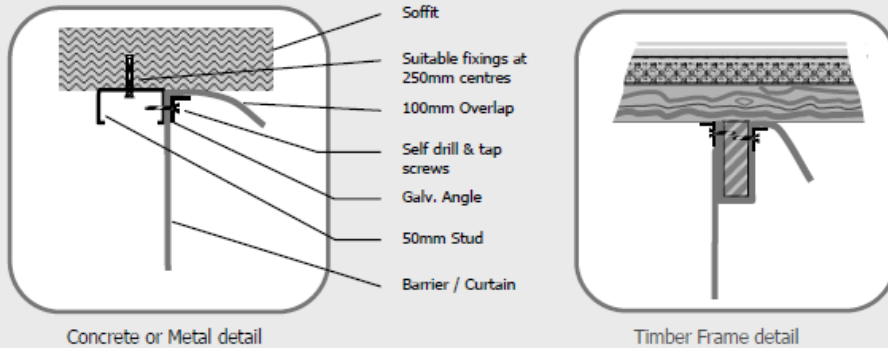


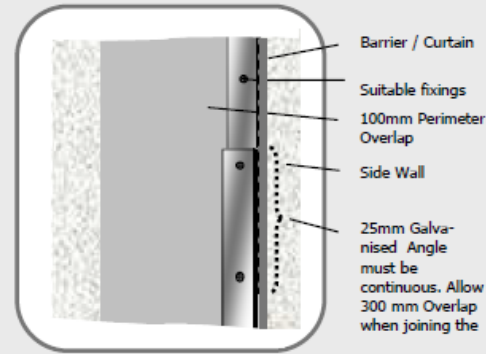
IMPORTANT
The following fixing details are provided as guidelines and recommendations of best practice. Individual installations should be made in consultation with your local Building Control Officer

INSTALLATION DETAILS for SF, 60/30 and 120/30(Gold)only.

TOP FIX DETAIL



SIDE FIX DETAIL

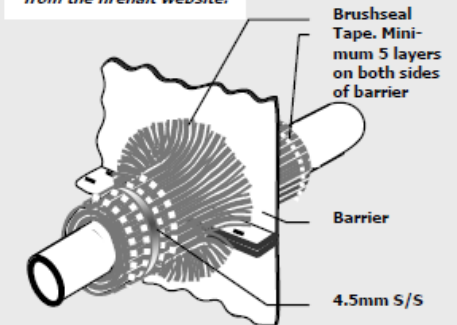


PENETRATION MANAGEMENT

FIREHALT BRUSHSEAL

A cost effective alternative to traditional collar and cuff seals. Brushseal Tape is quick and efficient to install fits any size or shape of service and provides a neat professional finish.

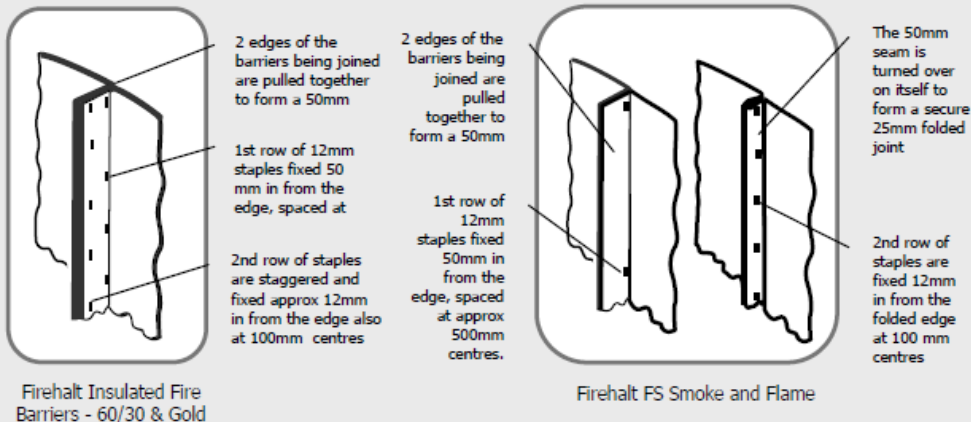
Full fitting details available from the firehalt website.



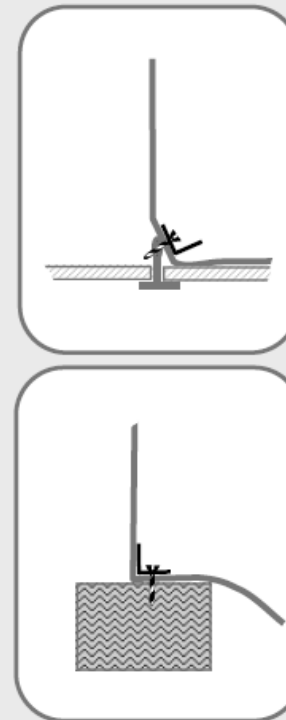
N.B. Barriers with insulation
250mm long Firehalt fabric cuff fitted over the Brushseal on one side only.

Traditional collar & cuff seals can be made on-site from the Firehalt fabric being used as the barrier or bought ready made for each penetration.

HORIZONTAL & VERTICAL SEAMS



BOTTOM FIX DETAIL



RECOMMENDED PROCEDURE

- Measure and cut the barrier to the required length, allowing for 100mm top and bottom overlaps and a further 50mm for any balancing pleats around service penetrations.
- Now "loose fix" the barrier to the top stud channel.
- If a service penetration is present measure, mark up and cut the barrier horizontally 50mm below the centre line to allow for re-joining of the cut edges. Now work the barrier around the service and feather cut a hole just large enough to accommodate it.

- Staple together the horizontal cut to the one side of the service (see Horizontal & Vertical seams detail) and form a folded balancing pleat on the other side to keep the drop of the barrier equal.
- Complete the Top and Side Fix details.
- Complete the bottom fix.
- Form vertical seams at the joints between any subsequent lengths of barrier that may be required.
- Any penetration seals can be fitted as work progresses or following the barrier installation.